
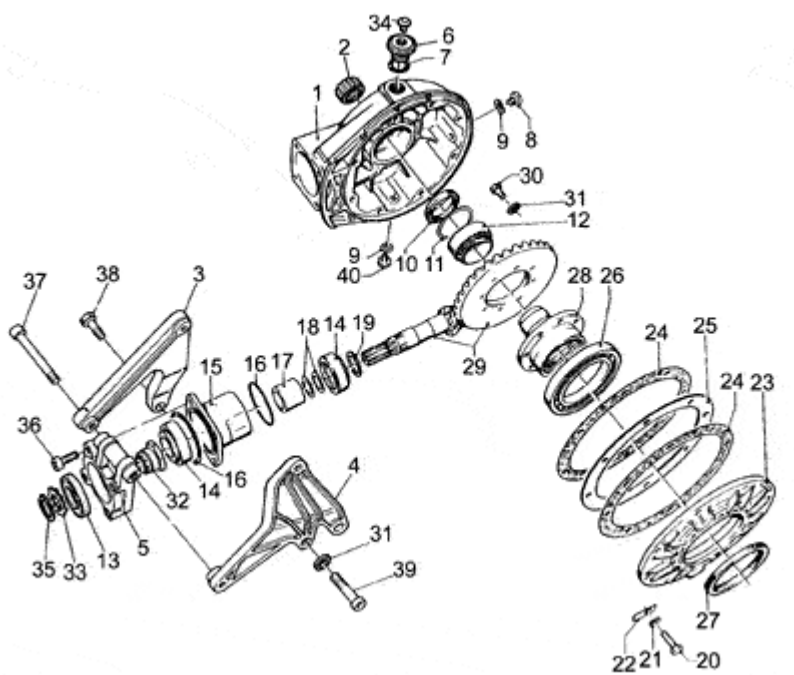


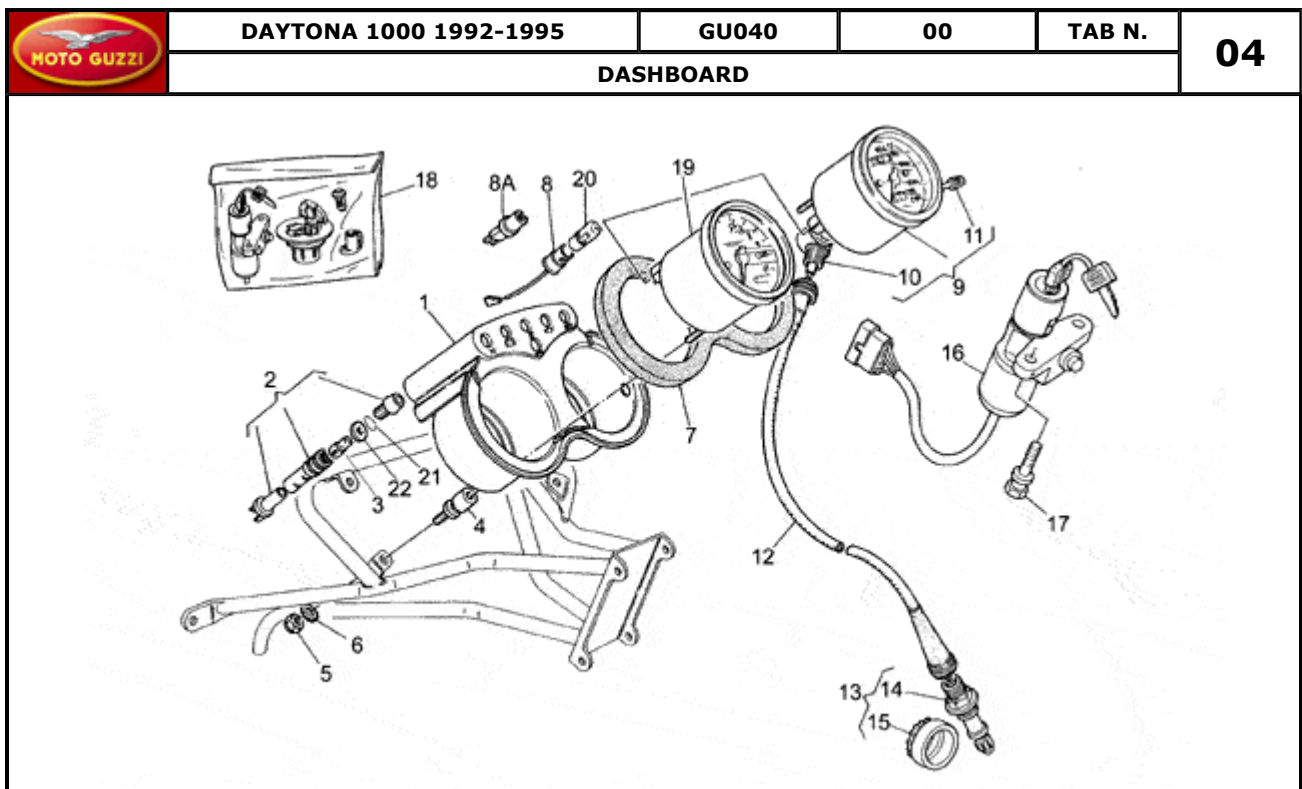
| Pos. | Description | Year | I_M | Country | Version | Code | Q.ty | P.Cod. |
|------|-------------------------------|------|-----|----------|---------|---------------|------|--------|
| 1 | Windshield | - | - | AUS-J-UK | - | GU30575421 | 1 | |
| | Windshield | - | - | - | - | GU30575401 | 1 | |
| 2 | "MotoGuzzi" decal, gold/black | - | - | - | DO | GU19917535 | 1 | |
| 3 | Decal "Fuel injection" | - | - | - | DO | GU30922500 | 2 | |
| 4 | Windscreen | - | - | - | - | GU30577200 | 1 | |
| | Windscreen | - | - | USA | - | GU30577220 | 1 | |
| 5 | Screw | - | - | - | - | GU98230515 | 7 | |
| 6 | Nylon washer 5,5X12X1 | - | - | - | - | GU30577800 | 7 | |
| 7 | Nut | - | - | - | - | GU92630205 | 7 | |
| 8 | RH rearview mirror | - | - | - | - | GU30769400 | 1 | |
| 9 | LH rearview mirror | - | - | - | - | GU30769800 | 1 | |
| 10 | Rearview mirror | - | - | D | - | GU17769861 | 2 | |
| 11 | Decal specchio | - | - | D | - | GU30768000 | 2 | |
| 12 | Screw | - | - | - | - | GU98230625 | 4 | |
| 13 | Nut M6x1 | - | - | - | - | GU92630106 | 8 | |
| 14 | Cover | - | - | - | gr | GU305763001 | 1 | |
| | Cover | - | - | - | r. | GU30576301 | 1 | |
| 15 | Gasket PVC | - | - | - | - | GU00823931080 | 1 | |
| 16 | Box lock | - | - | - | - | GU30468700 | 1 | |
| 17 | Ring nut | - | - | - | - | GU95021019 | 1 | |
| 18 | Nut | - | - | - | - | GU92608618 | 1 | |
| 19 | Lock lever | - | - | - | - | GU30739400 | 1 | |
| 20 | Washer | - | - | - | - | GU95129240 | 1 | |
| 21 | Washer 6,2X18X1 | - | - | - | - | GU95100118 | 1 | |
| 22 | Screw | - | - | - | - | GU98054306 | 1 | |
| 23 | Screw | - | - | - | - | GU98230622 | 4 | |
| 24 | Spacer D.6,5 | - | - | - | - | GU30576100 | 4 | |
| 25 | Rubber spacer | - | - | - | - | GU91551010 | 1 | |
| 26 | Captive nut | - | - | - | - | GU92660601 | 2 | |
| 27 | Front mudguard | - | - | - | gr | GU304344001 | 1 | |
| | Front mudguard | - | - | - | r. | GU30434401 | 1 | |
| 28 | Stabilization plate | - | - | - | - | GU30436600 | 1 | |
| 29 | Screw | - | - | - | - | GU98230612 | 4 | |
| 30 | Washer 6,4x10x0,7 | - | - | - | - | GU14217901 | 6 | |

| | | | | | | | | |
|----|-----------------------|---|---|--------------|---|---|---------------|---|
| 31 | Screw | - | - | - | - | - | GU98326031 | 4 |
| 32 | Rubber spacer | - | - | - | - | - | GU91551010 | 4 |
| 33 | Spacer | - | - | - | - | - | GU30436400 | 4 |
| 34 | Eyelet | - | - | - | - | - | GU13436561 | 2 |
| 35 | Front headlight supp. | - | - | AUS-J-UK-USA | C | - | GU30590520 | 1 |
| | Front headlight supp. | - | - | - | T | - | GU30590500 | 1 |
| 36 | Screw | - | - | - | - | - | GU98610360 | 2 |
| 37 | Washer | - | - | - | - | - | GU95000206 | 4 |
| 38 | Nut M6x1 | - | - | - | - | - | GU92630206 | 2 |
| 39 | Mirror support | - | - | - | - | - | GU30571001 | 1 |
| 40 | Screw | - | - | - | - | - | GU98230612 | 2 |
| 41 | Decal "Attention" | - | - | AUS-USA | - | - | GU30944400 | 1 |
| 42 | Toolkit | - | - | - | - | - | GU30909900 | 1 |
| 43 | Operator's handbook | - | - | D-F-I-UK | - | - | GU30900000 | 1 |
| | Operator's handbook | - | - | USA | - | - | GU30900020 | 1 |
| 44 | Gasket PVC | - | - | - | - | - | GU00823931080 | 1 |

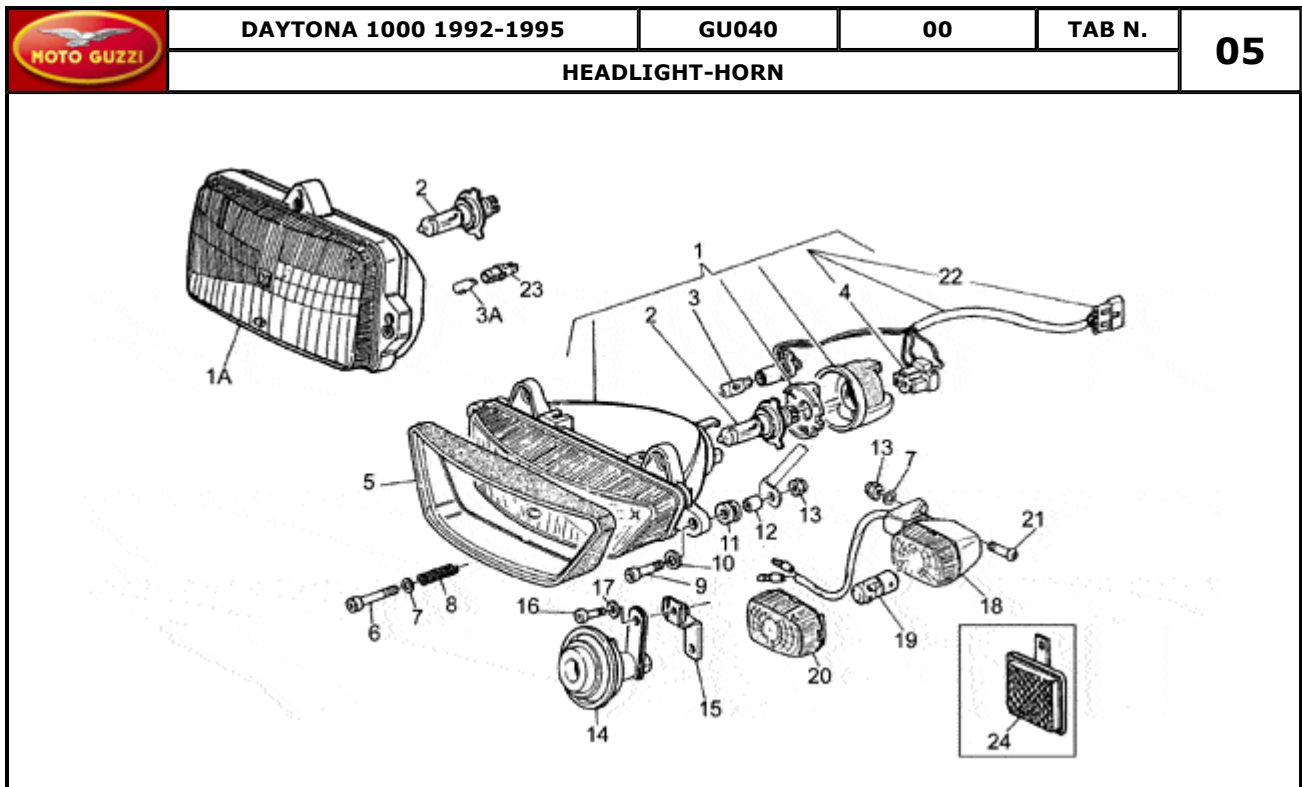
| MOTO GUZZI | | DAYTONA 1000 1992-1995 | GU040 | 00 | TAB N. | 02 | | |
|-------------------------|----------------------|------------------------|-------|---------|---------|---------------|------|--------|
| REAR FAIRING-SEAT COVER | | | | | | | | |
| | | | | | | | | |
| Pos. | Description | Year | I_M_ | Country | Version | Code | Q.ty | P.Cod. |
| 1 | Rear frame | - | - | - | - | GU30425601 | 1 | |
| 2 | Rear fairing | - | - | - | - | GU30472601 | 1 | |
| 3 | Net panel (r) | - | - | - | - | GU30467000 | 1 | |
| 4 | Net panel (l) | - | - | - | - | GU30467100 | 1 | |
| 5 | Decal "Daytona 1000" | - | - | - | - | GU30923400 | 1 | |
| 6 | Decal "Moto Guzzi" | - | - | - | - | GU30942300 | 1 | |
| 7 | Single-seater saddle | - | - | - | - | GU30460500 | 1 | |
| 8 | Seat cushion | - | - | - | - | GU30461500 | 1 | |
| 9 | Nut M6x1 | - | - | - | - | GU92630106 | 6 | |
| 10 | Washer | - | - | - | - | GU95000206 | 6 | |
| 11 | Screw | - | - | - | - | GU98230622 | 4 | |
| 12 | Spacer D.6,5 | - | - | - | - | GU30576100 | 4 | |
| 13 | Rubber spacer | - | - | - | - | GU91551010 | 4 | |
| 14 | Captive nut | - | - | - | - | GU92660601 | 2 | |
| 15 | Rubber spacer | - | - | - | - | GU19461650 | 3 | |
| 16 | Screw | - | - | - | - | GU98052456 | 2 | |
| 17 | Washer 8,4X13X0,8 | - | - | - | - | GU14615901 | 2 | |
| 18 | Helmet lock | - | - | - | - | GU66466815 | 1 | |
| 19 | Shear rivet | - | - | - | - | GU66468115 | 2 | |
| 20 | Screw | - | - | - | - | GU98251070 | 2 | |
| 21 | Nut M10X1,5 | - | - | - | - | GU92630110 | 2 | |
| 22 | Rear mudguard | - | - | - | - | GU30437000 | 1 | |
| 23 | Splash guard support | - | - | CH-D | - | GU30438102 | 1 | |
| 24 | Rear splash guard | - | - | CH-D | - | GU28438060 | 1 | |
| 25 | Screw | - | - | CH-D | - | GU98230620 | 2 | |
| 26 | Washer | - | - | CH-D | - | GU95001206 | 2 | |
| 27 | Nut | - | - | CH-D | - | GU92630207 | 2 | |
| 28 | Pin | - | - | CH-D | - | GU23922210 | 1 | |
| 29 | Washer | - | - | CH-D | - | GU95100123 | 1 | |
| 30 | Screw | - | - | - | - | GU98610320 | 4 | |
| 31 | Washer 6,4x10x0,7 | - | - | - | - | GU14217901 | 4 | |
| 32 | Washer 6,4x12x1,2 | - | - | - | - | GU95100141 | 4 | |
| 33 | Rubber spacer | - | - | - | - | GU91551082 | 4 | |
| 34 | Spacer | - | - | - | - | GU91180608 | 4 | |
| 35 | Rubber spacer | - | - | - | - | GU91551080 | 2 | |
| 36 | Decal set | - | - | - | DO | GU30923300 | 1 | |
| 38 | Gasket PVC | - | - | - | - | GU00823930085 | 1 | |

|  | | DAYTONA 1000 1992-1995 | GU040 | 00 | TAB N. | 03 | | |
|--|-------------------------|------------------------|-------|---------|---------|------------|------|--------|
| BEVEL GEAR | | | | | | | | |
|  | | | | | | | | |
| Pos. | Description | Year | I_M | Country | Version | Code | Q.ty | P.Cod. |
| 1 | Transmission | - | - | - | - | GU30350300 | 1 | |
| 2 | Roller cage | - | - | - | - | GU92251027 | 1 | |
| 3 | Ext. plate | - | - | - | - | GU30351045 | 1 | |
| 4 | Int. plate | - | - | - | - | GU30352100 | 1 | |
| 5 | Bearing support | - | - | - | - | GU30350900 | 1 | |
| 6 | Oil plug | - | - | - | - | GU12022600 | 1 | |
| 7 | O-ring 20,24X2,62 | - | - | - | - | GU90706203 | 1 | |
| 8 | Oil level plug | - | - | - | - | GU95980214 | 1 | |
| 9 | Gasket | - | - | - | - | GU10528900 | 2 | |
| 10 | Gasket ring | - | - | - | - | GU90403850 | 1 | |
| 11 | Gasket ring | - | - | - | - | GU12351100 | 1 | |
| 12 | Roller bearing 40x55x17 | - | - | - | - | GU92254340 | 1 | |
| 13 | Gasket ring | - | - | - | - | GU90403552 | 1 | |
| 14 | Tap.roller bearing 25x5 | - | - | - | - | GU92249227 | 2 | |
| 15 | Flange | - | - | - | - | GU18352400 | 1 | |
| 16 | Gasket 58,42x2,62 | - | - | - | - | GU90706584 | 2 | |
| 17 | Spacer | - | - | - | - | GU18355100 | 1 | |
| 18 | Shim 0,1 mm | - | - | - | - | GU12355202 | 1 | |
| | Shim 0,15 mm | - | - | - | - | GU12355203 | 1 | |
| 19 | Spacer 1,8 mm | - | - | - | - | GU19355328 | 1 | |
| | Spacer 1 mm | - | - | - | - | GU19355320 | 1 | |
| | Spacer 1,1 mm | - | - | - | - | GU19355321 | 1 | |
| | Spacer 1,2 mm | - | - | - | - | GU19355322 | 1 | |
| | Spacer 1,3 mm | - | - | - | - | GU19355323 | 1 | |
| | Spacer 1,4 mm | - | - | - | - | GU19355324 | 1 | |
| | Spacer 1,5 mm | - | - | - | - | GU19355325 | 1 | |
| | Spacer 1,6 mm | - | - | - | - | GU19355326 | 1 | |
| | Spacer 1,9 mm | - | - | - | - | GU19355329 | 1 | |
| | Spacer 1,7 mm | - | - | - | - | GU19355327 | 1 | |
| 20 | Screw M8X25 | - | - | - | - | GU98054425 | 6 | |
| 21 | Spring washer 8x15x0,3 | - | - | - | - | GU61270300 | 6 | |
| 22 | Plate | - | - | - | - | GU95187008 | 6 | |
| 23 | Flange | - | - | - | - | GU17350400 | 1 | |

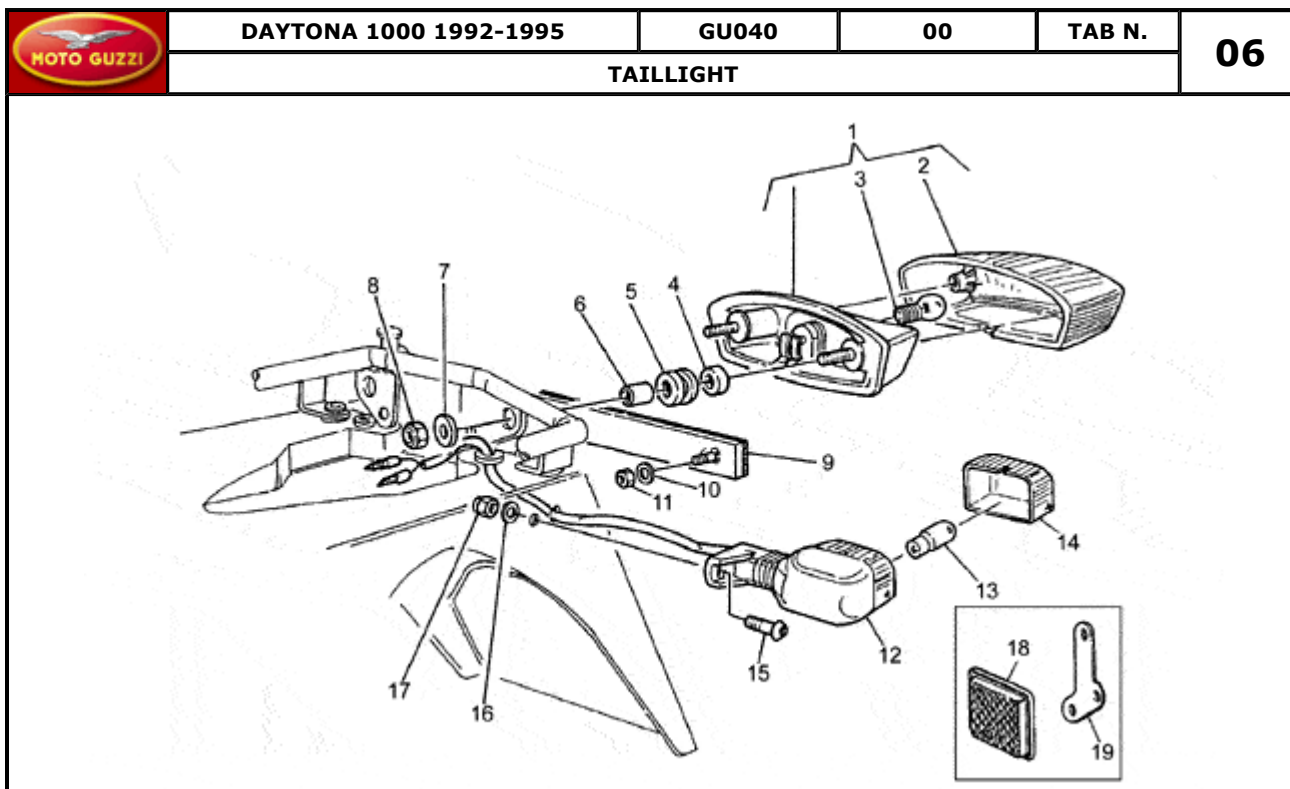
| | | | | | | | | |
|----|------------------------|---|---|---|---|---|------------|----|
| 24 | Gasket | - | - | - | - | - | GU17350700 | 2 |
| 25 | Spacer 0,8 mm | - | - | - | - | - | GU17355400 | 1 |
| | Spacer 0,9 mm | - | - | - | - | - | GU17355402 | 1 |
| | Spacer 1 mm | - | - | - | - | - | GU17355404 | 1 |
| | Spacer 1,1 mm | - | - | - | - | - | GU17355406 | 1 |
| | Spacer 1,2 mm | - | - | - | - | - | GU17355408 | 1 |
| | Spacer 1,3 mm | - | - | - | - | - | GU17355410 | 1 |
| | Spacer 1,5 mm | - | - | - | - | - | GU17355412 | 1 |
| 26 | Ball bearing 70x110x13 | - | - | - | - | - | GU92201070 | 1 |
| 27 | Gasket ring | - | - | - | - | - | GU90407085 | 1 |
| 28 | Drive flange | - | - | - | - | - | GU17351400 | 1 |
| 29 | Bevel gear 8/33 | - | - | - | - | - | GU30354602 | 1 |
| 30 | Screw | - | - | - | - | - | GU12356300 | 8 |
| 31 | Washer 8,4X13X0,8 | - | - | - | - | - | GU14615901 | 14 |
| 32 | Nut | - | - | - | - | - | GU30356700 | 1 |
| 33 | Lock | - | - | - | - | - | GU30358100 | 1 |
| 34 | Plug | - | - | - | - | - | GU93180245 | 1 |
| 35 | Snap ring | - | - | - | - | - | GU90271020 | 1 |
| 36 | Screw | - | - | - | - | - | GU98610445 | 1 |
| 37 | Screw | - | - | - | - | - | GU98610490 | 1 |
| 38 | Screw | - | - | - | - | - | GU30558700 | 1 |
| 39 | Screw | - | - | - | - | - | GU98150440 | 2 |
| 40 | Oil unload plug M10X1 | - | - | - | - | - | GU31003766 | 1 |



| Pos. | Description | Year | I_M | Country | Version | Code | Q.ty | P.Cod. |
|------|-------------------------------|------|-----|----------|---------|------------|------|--------|
| 1 | Instrument container | - | - | - | - | GU30766200 | 1 | |
| 2 | Indicator lamp, green | - | - | - | - | GU30758000 | 2 | |
| | Indicator lamp, red | - | - | - | - | GU30758100 | 2 | |
| | Indicator lamp, blue | - | - | - | - | GU30758200 | 1 | |
| | Indicator lamp, orange | - | - | - | - | GU30758330 | 1 | |
| 3 | Lamp 12V 2W | - | - | - | - | GU93450134 | 6 | |
| 4 | Silent-block | - | - | - | - | GU30503600 | 4 | |
| 5 | Nut | - | - | - | - | GU92602205 | 4 | |
| 6 | Notched washer | - | - | - | - | GU95021105 | 4 | |
| 7 | Vibration-damping rubber | - | - | - | - | GU30765100 | 1 | |
| 8 | Lampholder | - | - | - | - | GU14768650 | 2 | |
| | Lampholder | - | - | - | - | GU14768650 | 2 | |
| | Lampholder | - | - | - | - | GU30760630 | 2 | |
| 9 | Speedometer Km/h | - | - | - | - | GU30761500 | 1 | |
| | Speedometer Mhp | - | - | USA | - | GU28762451 | 1 | |
| | Speedometer Mhp | - | - | J-UK | - | GU14761570 | 1 | |
| 10 | Gear 90° | - | - | J-UK-USA | - | GU17768360 | 1 | |
| | Gear 60° | - | - | - | - | GU23768310 | 1 | |
| 11 | Knob | - | - | - | - | GU28762860 | 1 | |
| 12 | Speedometer transmission | - | - | - | - | GU12760400 | 1 | |
| 13 | Odometer gear 5/10 | - | - | - | - | GU28762540 | 1 | |
| 14 | Gear | - | - | - | - | GU28763340 | 1 | |
| 15 | Chain ring Z11 | - | - | - | - | GU14766110 | 1 | |
| 16 | Key switch | - | - | - | - | GU30782500 | 1 | |
| 17 | Special screw M8x15 | - | - | - | - | GU97260415 | 2 | |
| 18 | Lock hardware kit | - | - | - | - | GU30736800 | 1 | |
| 19 | Electronic revolution counter | - | - | - | - | GU30767200 | 1 | |
| 20 | Lamp 12v-3w | - | - | - | - | GU93450120 | 2 | |
| 21 | O-ring | - | - | - | - | GU90706087 | 6 | |
| 22 | Washer | - | - | - | - | GU90714101 | 6 | |

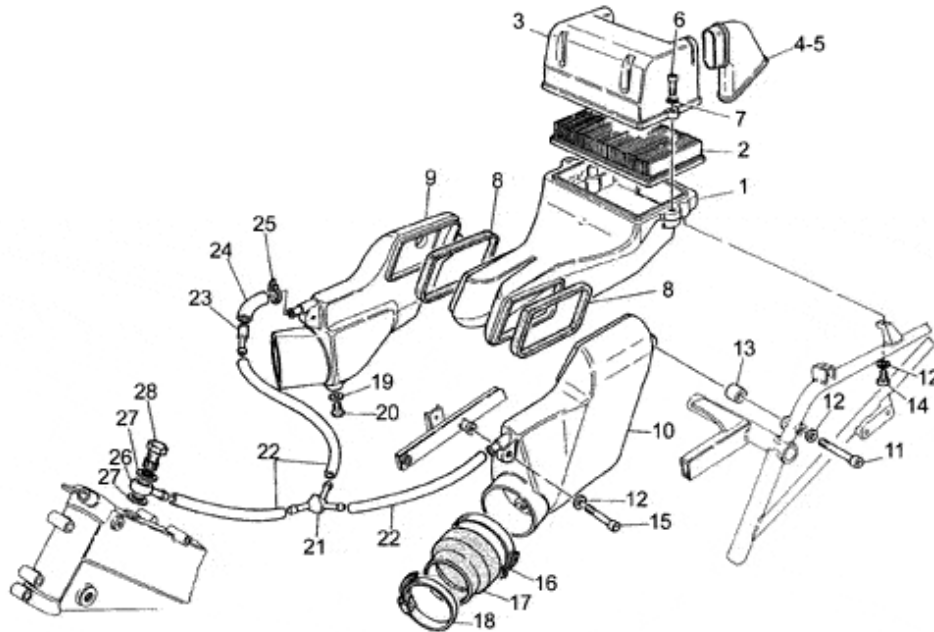


| Pos. | Description | Year | I_M | Country | Version | Code | Q.ty | P.Cod. |
|------|--------------------------------|------|-----|----------|---------|------------|------|--------|
| 1 | Cpl headlightsteering headligh | - | - | AUS-J-UK | - | GU30740515 | 1 | |
| | Headlight | - | - | USA | - | GU30740520 | 1 | |
| | Headlight | - | - | - | - | GU30740500 | 1 | |
| 2 | Lamp 12V-55/60W | - | - | - | - | GU93450232 | 1 | |
| 3 | Lamp 12v-3w | - | - | - | - | GU93450120 | 1 | |
| | Lamp 12V 5W | - | - | J-UK | - | GU93450150 | 1 | |
| 4 | Lampholder | - | - | - | - | GU14756255 | 1 | |
| 5 | Light frame | - | - | - | - | GU30741800 | 1 | |
| 6 | Hex socket screw M6x18 | - | - | - | - | GU98610335 | 1 | |
| 7 | Washer | - | - | - | - | GU95000206 | 1 | |
| 8 | Spring | - | - | - | - | GU94321124 | 1 | |
| 9 | Hex socket screw M6X25 | - | - | - | - | GU98622325 | 2 | |
| 10 | Washer 6,15x11x0,8 | - | - | - | - | GU95004206 | 2 | |
| 11 | Rubber spacer | - | - | - | - | GU91551080 | 2 | |
| 12 | Spacer | - | - | - | - | GU91180709 | 2 | |
| 13 | Nut M6x1 | - | - | - | - | GU92630106 | 4 | |
| 14 | Horn | - | - | - | - | GU30743700 | 1 | |
| 15 | Clamp | - | - | - | - | GU30744200 | 1 | |
| 16 | Screw | - | - | - | - | GU98622415 | 1 | |
| 17 | Washer 8,4X13X0,8 | - | - | - | - | GU14615901 | 1 | |
| 18 | Turn indicator | - | - | - | 1A-C | GU30750600 | 2 | |
| | Rear LH turn indicator | - | - | - | 2A-E | GU30750601 | 2 | |
| 19 | Lamp 12V-10W | - | - | - | - | GU93450127 | 2 | |
| 20 | Turn indicator lens | - | - | - | 1A-C | GU30753700 | 2 | |
| | Turn indicator lens | - | - | - | 2A-E | GU30753701 | 2 | |
| 21 | Screw | - | - | - | - | GU98230620 | 2 | |
| 22 | 4-way connector | - | - | - | - | GU17756160 | 1 | |
| 23 | Lampholder | - | - | AUS-J-UK | - | GU14768650 | 1 | |
| | Washer 5,3x10x0,5 | - | - | - | - | GU95100121 | 4 | |
| 24 | Reflector, amber | - | - | USA | - | GU14781670 | 2 | |


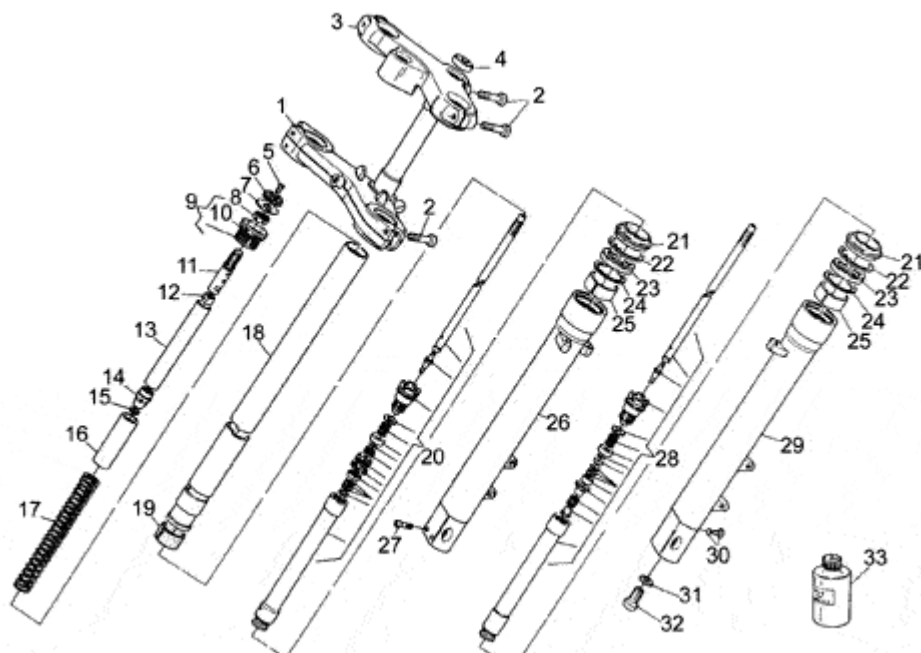


| Pos. | Description | Year | I_M | Country | Version | Code | Q.ty | P.Cod. |
|------|------------------------|------|-----|---------|---------|------------|------|--------|
| 1 | Taillight | - | - | - | - | GU31740960 | 1 | |
| 2 | Taillight lens | - | - | - | - | GU31741760 | 1 | |
| 3 | Lamp 12V/5-21W | - | - | - | - | GU93450224 | 1 | |
| 4 | Spacer | - | - | - | - | GU91180605 | 2 | |
| 5 | Rubber spacer | - | - | - | - | GU91551085 | 2 | |
| 6 | Spacer | - | - | - | - | GU91180607 | 2 | |
| 7 | Washer 5,3x10x0,5 | - | - | - | - | GU95100121 | 2 | |
| 8 | Nut M6x1 | - | - | - | - | GU92630206 | 2 | |
| 9 | Rear reflector | - | - | - | - | GU28745800 | 1 | |
| 10 | Washer | - | - | - | - | GU95129080 | 2 | |
| 11 | Nut | - | - | - | - | GU92602204 | 2 | |
| 12 | Rear RH turn indicator | - | - | - | 2A-E | GU30751601 | 1 | |
| | Turn indicator | - | - | - | 1A-C | GU30750600 | 1 | |
| 13 | Lamp 12V-10W | - | - | - | - | GU93450127 | 2 | |
| 14 | Turn indicator lens | - | - | - | 1A-C | GU30753700 | 2 | |
| | Turn indicator lens | - | - | - | 2A-E | GU30753701 | 2 | |
| 15 | Screw | - | - | - | - | GU98230620 | 2 | |
| 16 | Washer | - | - | - | - | GU95000206 | 2 | |
| 17 | Nut M6x1 | - | - | - | - | GU92630106 | 2 | |
| 18 | Rear reflector, red | - | - | USA | - | GU14781570 | 2 | |
| 19 | Reflector support | - | - | USA | - | GU30781820 | 2 | |

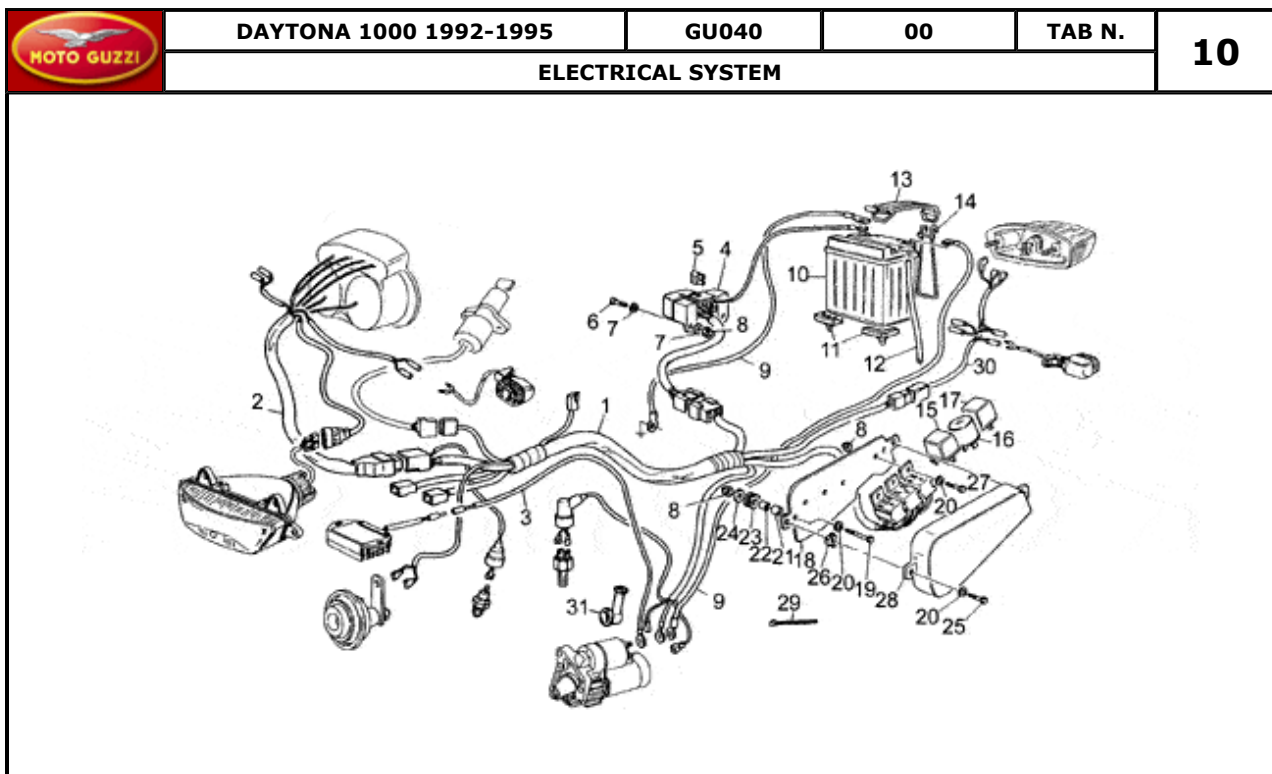
| | | | | | |
|---|-------------------------------|--------------|-----------|---------------|-----------|
|  | DAYTONA 1000 1992-1995 | GU040 | 00 | TAB N. | 07 |
| | AIR FILTER | | | | |



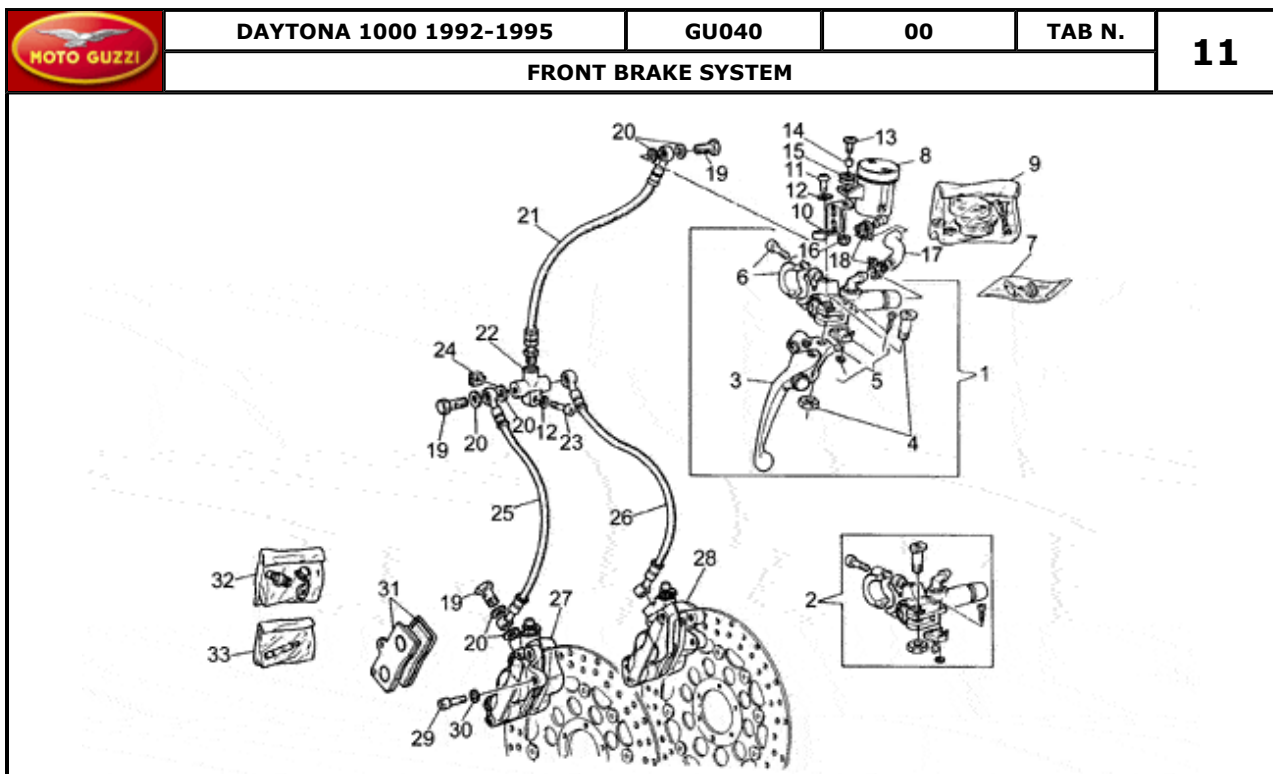
| Pos. | Description | Year | I_M_ | Country | Version | Code | Q.ty | P.Cod. |
|------|---------------------|------|------|---------|---------|---------------|------|--------|
| 1 | Air box | - | - | - | - | GU30114000 | 1 | |
| 2 | Air filter | - | - | - | - | GU30113600 | 1 | |
| 3 | Air filter cover | - | - | - | - | GU30113700 | 1 | |
| 4 | LH air intake | - | - | - | - | GU30113402 | 1 | |
| 5 | RH air intake | - | - | - | - | GU30113403 | 1 | |
| 6 | Screw | - | - | - | - | GU98622320 | 2 | |
| 7 | Washer | - | - | - | - | GU95001206 | 2 | |
| 8 | Gasket | - | - | - | - | GU30113900 | 2 | |
| 9 | RH cover | - | - | - | - | GU30113100 | 1 | |
| 10 | LH cover | - | - | - | - | GU30113101 | 1 | |
| 11 | Screw | - | - | - | - | GU98610350 | 2 | |
| 12 | Washer 6,15x11x0,8 | - | - | - | - | GU95004206 | 6 | |
| 13 | Spacer | - | - | - | - | GU91180712 | 2 | |
| 14 | Screw | - | - | - | - | GU98622312 | 2 | |
| 15 | Screw M6x30 | - | - | - | - | GU98610330 | 2 | |
| 16 | Hose clamp | - | - | - | - | GU93305092 | 2 | |
| 17 | Hose | - | - | - | - | GU30114800 | 2 | |
| 18 | Hose clamp | - | - | - | - | GU93305092 | 2 | |
| 19 | Gasket 8,25x15x1 | - | - | - | - | GU12154200 | 2 | |
| 20 | Screw | - | - | - | - | GU98054412 | 2 | |
| 21 | 3-way union | - | - | - | - | GU29106860 | 1 | |
| 22 | Pipe SAEJ30R9 | - | - | - | - | GU00823952080 | 1 | |
| 23 | Breather pipe union | - | - | - | - | GU30156300 | 2 | |
| 24 | Pipe | - | - | - | - | GU00823948170 | 1 | |
| 25 | Hose clamp 2,4x92 | - | - | - | - | GU49609601 | 1 | |
| 26 | Union | - | - | - | - | GU30107401 | 1 | |
| 27 | Gasket | - | - | - | - | GU10154200 | 2 | |
| 28 | Bored screw | - | - | - | - | GU95990084 | 1 | |

|  | | DAYTONA 1000 1992-1995 | | GU040 | 00 | TAB N. | 08 | | |
|--|-----------------------|------------------------|------|---------|---------|------------|------|--------|--|
| FRONT FORK | | | | | | | | | |
|  | | | | | | | | | |
| Pos. | Description | Year | I_M_ | Country | Version | Code | Q.ty | P.Cod. | |
| 1 | Lower plate | - | - | - | - | GU30494000 | 1 | | |
| 2 | Screw M8X30 | - | - | - | - | GU98622430 | 7 | | |
| 3 | Upper plate | - | - | - | - | GU30493100 | 1 | | |
| 4 | Plug | - | - | - | - | GU30513400 | 1 | | |
| 5 | Screw | - | - | - | - | GU30530503 | 2 | | |
| 6 | Knob | - | - | - | - | GU37530504 | 1 | | |
| 7 | Washer | - | - | - | - | GU30530505 | 2 | | |
| 8 | Nut | - | - | - | - | GU30530506 | 2 | | |
| 9 | Plug cpl. | - | - | - | - | GU30530507 | 2 | | |
| 10 | O-ring | - | - | - | - | GU30530508 | 2 | | |
| 11 | Adjuster unit | - | - | - | - | GU37530509 | 2 | | |
| 12 | Nut | - | - | - | - | GU37530522 | 2 | | |
| 13 | Spacer | - | - | - | - | GU30530523 | 2 | | |
| 14 | Spring centering shoe | - | - | - | - | GU30530524 | 2 | | |
| 15 | Stop ring | - | - | - | - | GU30530513 | 2 | | |
| 16 | Pipe | - | - | - | - | GU30530514 | 2 | | |
| 17 | Fork spring | - | - | - | - | GU30526600 | 2 | | |
| 18 | Sleeve | - | - | - | - | GU30525400 | 2 | | |
| 19 | Bush | - | - | - | - | GU30530515 | 2 | | |
| 20 | Shock absorber, RH | - | - | - | - | GU30530516 | 1 | | |
| 21 | Dust cover ring | - | - | - | - | GU30524500 | 2 | | |
| 22 | Stop ring | - | - | - | - | GU30530518 | 2 | | |
| 23 | Oil seal | - | - | - | - | GU30530502 | 2 | | |
| 24 | Cup | - | - | - | - | GU37530519 | 2 | | |
| 25 | Bush | - | - | - | - | GU30530520 | 2 | | |
| 26 | RH sleeve | - | - | - | - | GU30522500 | 1 | | |
| 27 | Screw M6X35 | - | - | - | - | GU98620335 | 2 | | |
| 28 | Shock absorber, LH | - | - | - | - | GU30530517 | 1 | | |
| 29 | LH sleeve | - | - | - | - | GU30522600 | 1 | | |
| 30 | Screw with OR | - | - | - | - | GU30530521 | 2 | | |
| 31 | Gasket | - | - | - | - | GU39523700 | 2 | | |
| 32 | Screw | - | - | - | - | GU66530514 | 2 | | |
| 33 | Front fork oil SAE10 | - | - | - | - | GU30530527 | 1 | | |

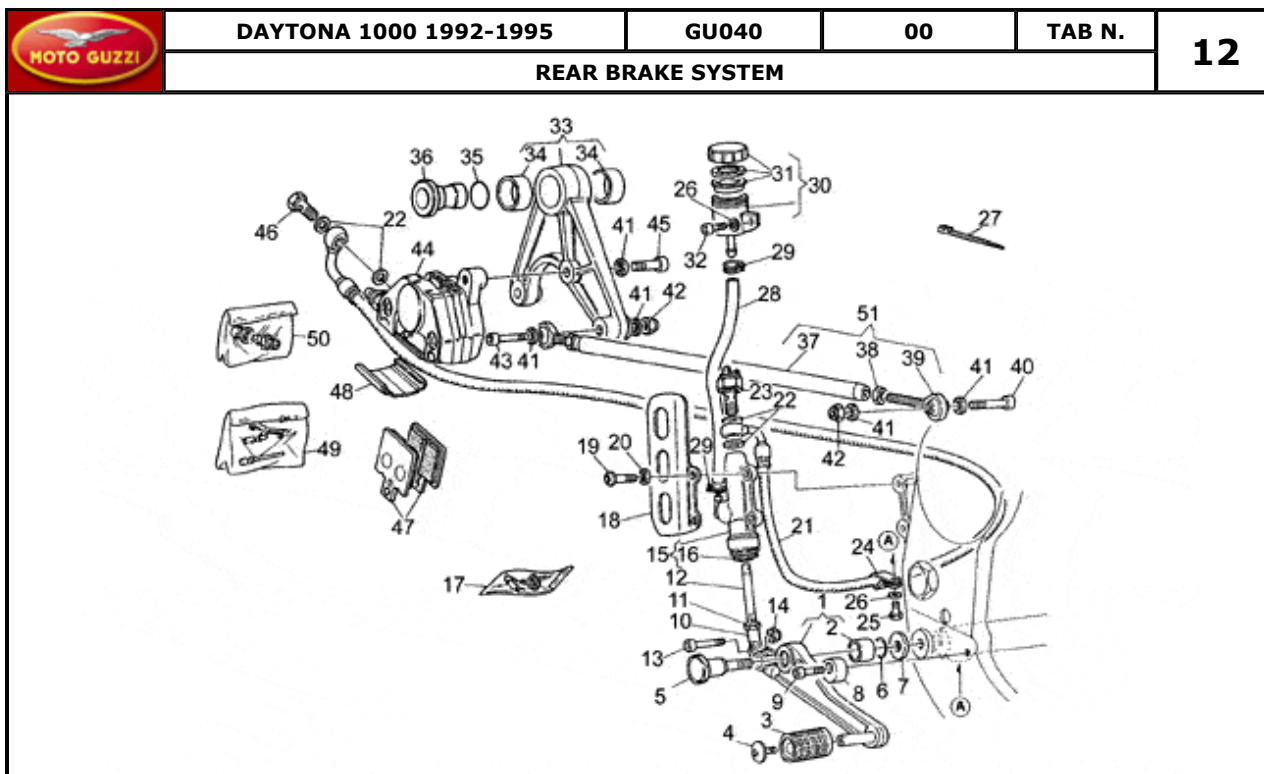
| MOTO GUZZI | DAYTONA 1000 1992-1995 | GU040 | 00 | TAB N. | 09 | | | |
|------------|------------------------|-------|-----|---------|---------|------------|------|--------|
| | SWING ARM | | | | | | | |
| | | | | | | | | |
| Pos. | Description | Year | I_M | Country | Version | Code | Q.ty | P.Cod. |
| 1 | Swingarm | - | - | - | - | GU37540200 | 1 | |
| 2 | Bearing | - | - | - | - | GU92249217 | 2 | |
| 3 | Gasket ring | - | - | - | - | GU90403040 | 2 | |
| 4 | Spacer | - | - | - | - | GU12547200 | 2 | |
| 5 | Pin | - | - | - | - | GU30547000 | 2 | |
| 6 | Nut | - | - | - | - | GU30547800 | 2 | |
| 7 | Rear shock absorber | - | - | - | - | GU30550203 | 1 | |
| 8 | Screw | - | - | - | - | GU98610690 | 1 | |
| 9 | Washer 13x18x1,7 | - | - | - | - | GU30217900 | 2 | |
| 10 | Spacer | - | - | - | - | GU91181217 | 2 | |
| 11 | Self-locking nut | - | - | - | - | GU92630111 | 2 | |
| 12 | Lower screw | - | - | - | - | GU98610616 | 1 | |
| 13 | Hard spring | - | - | - | - | GU30552302 | 1 | |
| | Soft spring | - | - | - | - | GU30552301 | 1 | |



| Pos. | Description | Year | I_M_ | Country | Version | Code | Q.ty | P.Cod. |
|------|------------------------------|------|------|---------|---------|---------------|------|--------|
| 1 | Main wiring harness | - | - | - | - | GU30747100 | 1 | |
| 2 | Dashboard cable | - | - | - | - | GU30747200 | 1 | |
| 3 | Starter motor wiring harness | - | - | - | - | GU30726400 | 1 | |
| 4 | Fuse holder box | - | - | - | - | GU30743000 | 1 | |
| 5 | Fuse 15A | - | - | - | - | GU28742560 | 6 | |
| 6 | Screw | - | - | - | - | GU98622218 | 2 | |
| 7 | Washer 5,25x14x1,5 | - | - | - | - | GU95100059 | 4 | |
| 8 | Nut | - | - | - | - | GU92630105 | 4 | |
| 9 | Wire | - | - | - | - | GU30748400 | 2 | |
| 10 | Battery YB 16B-A | - | - | - | Y | GU30704500 | 1 | |
| 11 | Drift | - | - | - | - | GU30707300 | 4 | |
| 12 | Breather pipe | - | - | - | - | GU00823946060 | 1 | |
| 13 | Fixing snap | - | - | - | - | GU14102600 | 1 | |
| 14 | Battery hook | - | - | - | - | GU30705700 | 2 | |
| 15 | Siren relay | - | - | - | - | GU28732560 | 1 | |
| 16 | Flasher unit | - | - | - | - | GU17750520 | 1 | |
| 17 | Starting relay | - | - | - | - | GU30732510 | 2 | |
| 18 | Clamp | - | - | - | - | GU30477000 | 1 | |
| 19 | Screw | - | - | - | - | GU98054230 | 2 | |
| 20 | Washer | - | - | - | - | GU95004205 | 4 | |
| 21 | Spacer | - | - | - | - | GU91180709 | 2 | |
| 22 | Spacer | - | - | - | - | GU91180608 | 2 | |
| 23 | Rubber spacer | - | - | - | - | GU91551080 | 2 | |
| 24 | Washer | - | - | - | - | GU95100060 | 4 | |
| 25 | Screw | - | - | - | - | GU98054216 | 2 | |
| 26 | Captive nut | - | - | - | - | GU92660501 | 2 | |
| 27 | Screw | - | - | - | - | GU98054212 | 3 | |
| 28 | Cover | - | - | - | - | GU30477300 | 1 | |
| 29 | Hose clamp 3,6x20,6 | - | - | - | - | GU14609650 | 1 | |
| 30 | Taillight wiring harn. | - | - | - | - | GU30747300 | 1 | |
| 31 | Cap | - | - | - | - | GU19707100 | 1 | |

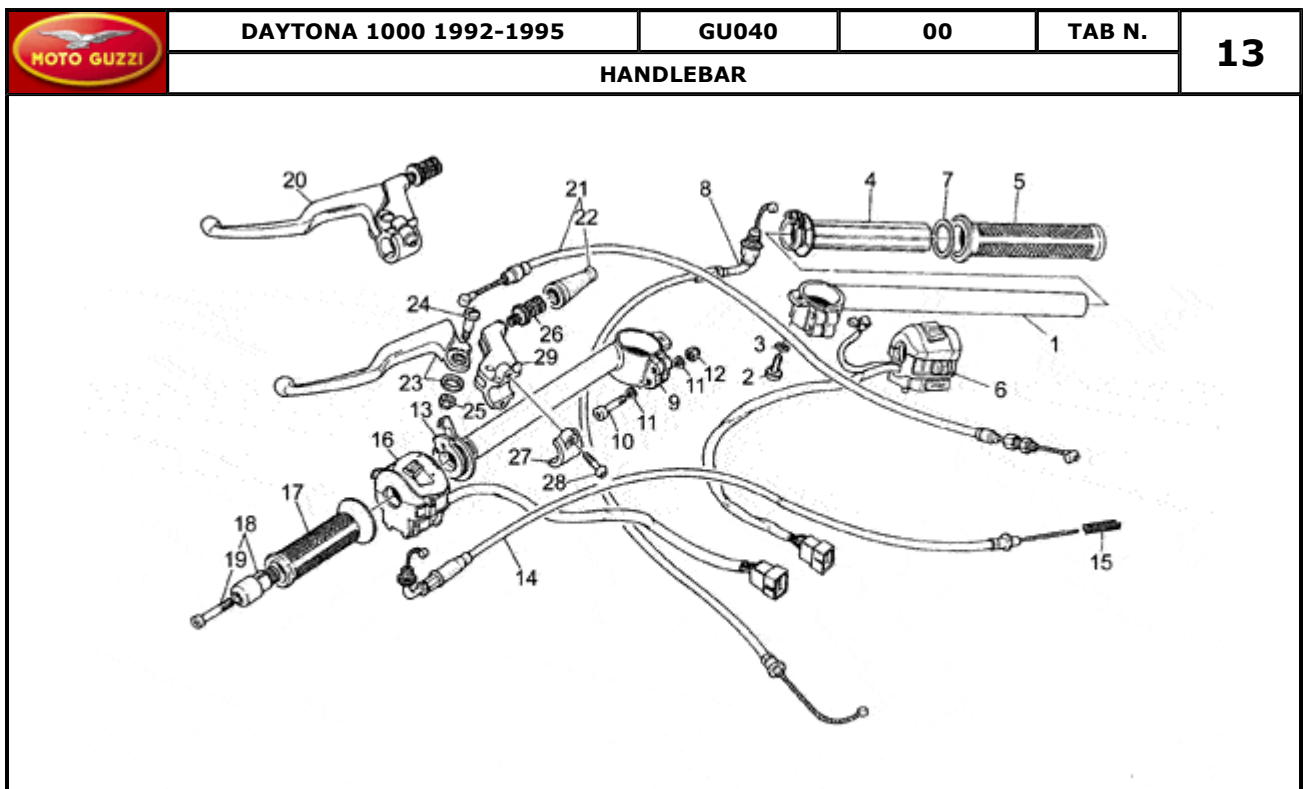


| Pos. | Description | Year | I_M_ | Country | Version | Code | Q.ty | P.Cod. |
|------|-------------------------------|------|------|---------|---------|---------------|------|--------|
| 1 | Front brake mast.cyl cpl | - | - | - | - | GU37660100 | 1 | |
| 2 | Front master cilinder | - | - | - | - | GU30660200 | 1 | |
| 3 | Front brake lever | - | - | - | - | GU30605600 | 1 | |
| 4 | Pin | - | - | - | - | GU27604815 | 1 | |
| 5 | Microswitch | - | - | - | - | GU30749860 | 1 | |
| 6 | U-bolt | - | - | - | - | GU30664000 | 1 | |
| 7 | Pump connection overhaul unit | - | - | - | - | GU19659500 | 1 | |
| 8 | Brake oil tank | - | - | - | - | GU30665000 | 1 | |
| 9 | Tank cover | - | - | - | - | GU30661100 | 1 | |
| 10 | Tank support | - | - | - | - | GU30661400 | 1 | |
| 11 | Screw | - | - | - | - | GU98230612 | 1 | |
| 12 | Special washer | - | - | - | - | GU61013800 | 2 | |
| 13 | Screw | - | - | - | - | GU98230616 | 1 | |
| 14 | Spacer | - | - | - | - | GU91180607 | 1 | |
| 15 | Rubber spacer | - | - | - | - | GU91551085 | 1 | |
| 16 | Nut M6x1 | - | - | - | - | GU92630206 | 1 | |
| 17 | Rear brake hose | - | - | - | - | GU00823950050 | 1 | |
| 18 | Hose clamp | - | - | - | - | GU19157800 | 2 | |
| 19 | Oil pipe screw * | - | - | - | - | GU95990028 | 5 | |
| 20 | Gasket | - | - | - | - | GU25656100 | 10 | |
| 21 | Oil pipe | - | - | - | - | GU30657100 | 1 | |
| 22 | Distributor | - | - | - | - | GU31656860 | 1 | |
| 23 | Screw | - | - | - | - | GU98230630 | 1 | |
| 24 | Captive nut | - | - | - | - | GU92660601 | 1 | |
| 25 | RH front oil pipe | - | - | - | - | GU30658800 | 1 | |
| 26 | LH front oil pipe | - | - | - | - | GU30658801 | 1 | |
| 27 | RH Front brake caliper, gold | - | - | - | - | GU30652302 | 1 | |
| 28 | LH Front brake caliper, gold | - | - | - | - | GU30652202 | 1 | |
| 29 | Screw | - | - | - | - | GU98602530 | 4 | |
| 30 | Washer 10,5x16x1 | - | - | - | - | GU19149800 | 4 | |
| 31 | Front pads pair | - | - | - | - | GU30654600 | 2 | |
| 32 | Bleeder+cap | - | - | - | - | GU30659200 | 2 | |
| 33 | Pads kit | - | - | - | - | GU30659102 | 2 | |

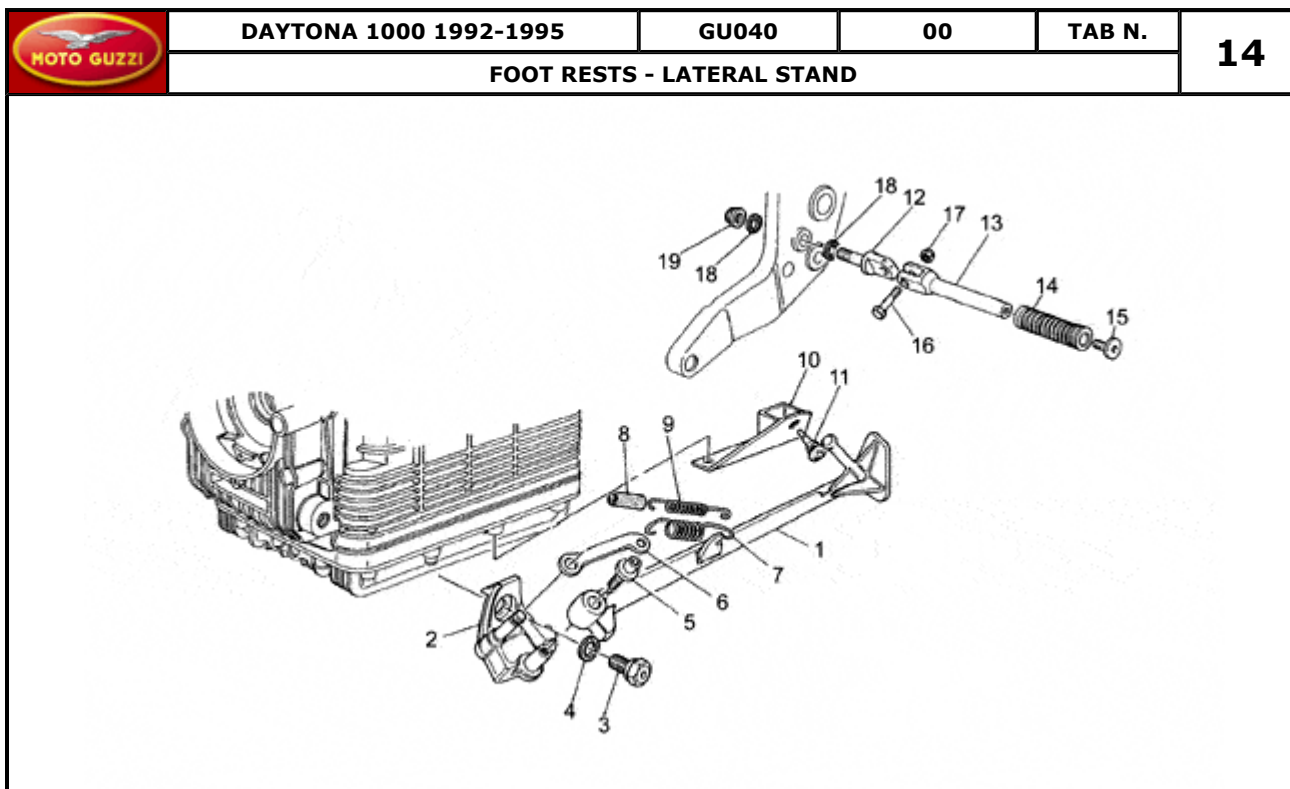


| Pos. | Description | Year | I_M | Country | Version | Code | Q.ty | P.Cod. |
|------|-------------------------------|------|-----|---------|---------|---------------|------|--------|
| 1 | Rear brake lever | - | - | - | - | GU37677005 | 1 | |
| 2 | Bush 18 mm est. | - | - | - | - | GU28252060 | 1 | |
| 3 | Rubber spacer | - | - | - | - | GU14251001 | 1 | |
| 4 | Screw | - | - | - | - | GU98230616 | 1 | |
| 5 | Pin | - | - | - | - | GU30676600 | 1 | |
| 6 | O-ring | - | - | - | - | GU90706141 | 2 | |
| 7 | Washer | - | - | - | - | GU95100343 | 1 | |
| 8 | Cam | - | - | - | - | GU30677600 | 1 | |
| 9 | Hex socket screw M6X25 | - | - | - | - | GU98622325 | 1 | |
| 10 | Ball joint | - | - | - | - | GU30675300 | 1 | |
| 11 | Nut | - | - | - | - | GU92601206 | 1 | |
| 12 | Pump rod | - | - | - | - | GU30675200 | 1 | |
| 13 | Screw | - | - | - | - | GU98622320 | 1 | |
| 14 | Nut M6x1 | - | - | - | - | GU92630206 | 1 | |
| 15 | Rear master cylinder | - | - | - | - | GU30666900 | 1 | |
| 16 | Protection collar | - | - | - | - | GU30530525 | 1 | |
| 17 | Pump connection overhaul unit | - | - | - | - | GU19659500 | 1 | |
| 18 | Pump protection plate | - | - | - | - | GU30665400 | 1 | |
| 19 | Screw | - | - | - | - | GU98230620 | 2 | |
| 20 | Washer 6,4x10x0,7 | - | - | - | - | GU14217901 | 2 | |
| 21 | Oil pipe | - | - | - | - | GU30657500 | 1 | |
| 22 | Gasket | - | - | - | - | GU25656100 | 4 | |
| 23 | Brake light switch | - | - | - | - | GU14657050 | 1 | |
| 24 | Hose clamp | - | - | - | - | GU12006500 | 1 | |
| 25 | Screw | - | - | - | - | GU98054310 | 1 | |
| 26 | Washer 6,15x11x0,8 | - | - | - | - | GU95004206 | 2 | |
| 27 | Hose clamp 2,4x92 | - | - | - | - | GU49609601 | 1 | |
| 28 | Rear brake hose | - | - | - | - | GU00823950050 | 1 | |
| 29 | Hose clamp | - | - | - | - | GU19157800 | 2 | |
| 30 | Brake oil tank complete | - | - | - | - | GU30663500 | 1 | |
| 31 | Tank cover | - | - | - | - | GU30661101 | 1 | |
| 32 | Hex socket screw M6x16 | - | - | - | - | GU98612316 | 1 | |
| 33 | Rear bracket | - | - | - | - | GU30635800 | 1 | |
| 34 | Bush | - | - | - | - | GU30636100 | 2 | |

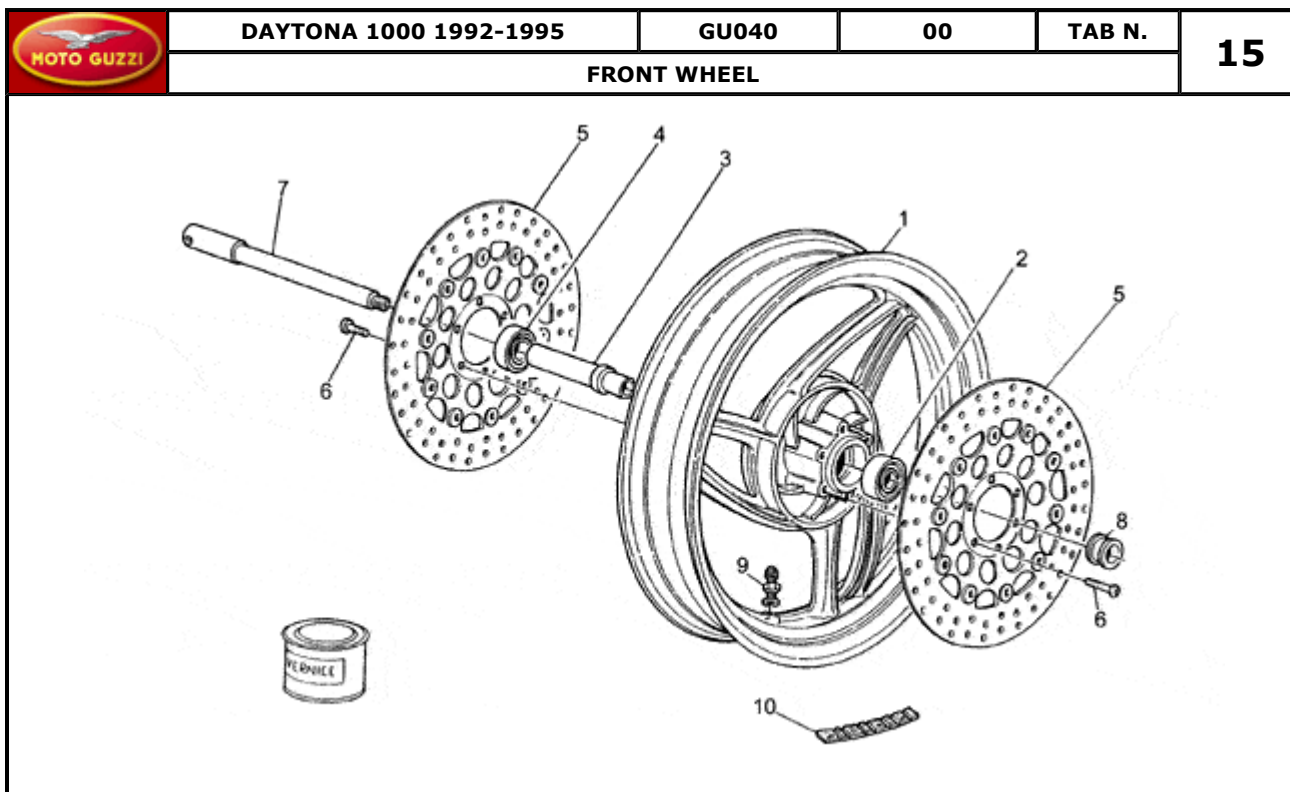
| | | | | | | | | |
|----|----------------------------|---|---|---|---|---|------------|---|
| 35 | Gasket | - | - | - | - | - | GU90706253 | 1 |
| 36 | Bush | - | - | - | - | - | GU30634201 | 1 |
| 37 | Reaction rod assy. | - | - | - | - | - | GU30636600 | 1 |
| 38 | Nut M8X1,25 | - | - | - | - | - | GU92602208 | 2 |
| 39 | Ball joint | - | - | - | - | - | GU30638100 | 2 |
| 40 | Screw | - | - | - | - | - | GU98150455 | 1 |
| 41 | Washer 8,4X13X0,8 | - | - | - | - | - | GU14615901 | 6 |
| 42 | Nut | - | - | - | - | - | GU92630108 | 2 |
| 43 | Screw | - | - | - | - | - | GU98150440 | 1 |
| 44 | Rear brake caliper, gold | - | - | - | - | - | GU30653001 | 1 |
| 45 | Screw | - | - | - | - | - | GU98602425 | 2 |
| 46 | Oil pipe screw * | - | - | - | - | - | GU95990028 | 1 |
| 47 | Pads pair BREMBO | - | - | - | - | - | GU27654610 | 1 |
| 48 | Brake caliper cover | - | - | - | - | - | GU30654700 | 1 |
| 49 | Pin+Brake spring | - | - | - | - | - | GU30659101 | 1 |
| 50 | Bleeder+cap BREMBO D.10 | - | - | - | - | - | GU31659260 | 1 |
| 51 | Brake caliper reaction rod | - | - | - | - | - | GU30636500 | 1 |



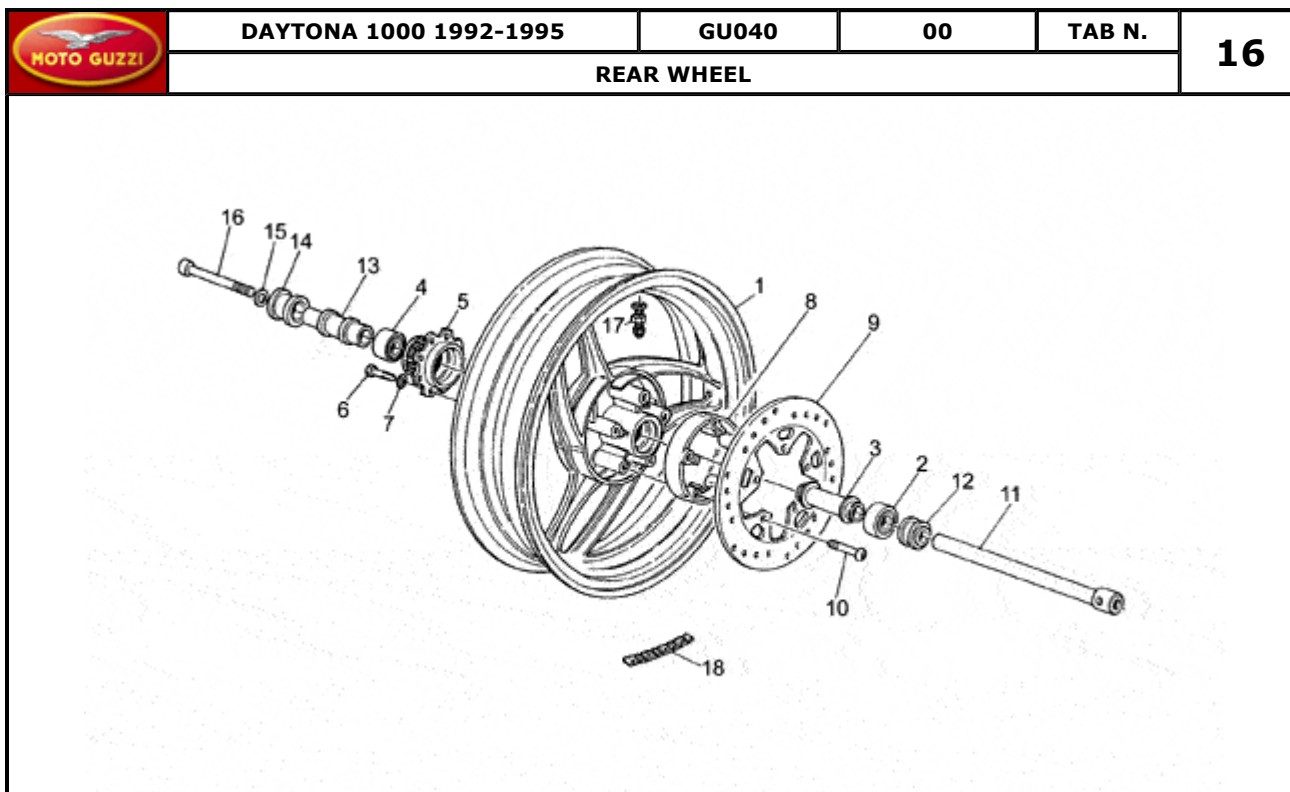
| Pos. | Description | Year | I_M | Country | Version | Code | Q.ty | P.Cod. |
|------|-------------------------------|------|-----|---------|---------|------------|------|--------|
| 1 | Right half handlebar | - | - | - | - | GU30600600 | 1 | |
| 2 | Screw | - | - | - | - | GU98230612 | 2 | |
| 3 | Washer 6,4x10x0,7 | - | - | - | - | GU14217901 | 2 | |
| 4 | Throttle pipe w/out hand grip | - | - | - | - | GU30603800 | 1 | |
| 5 | RH hand grip | - | - | - | - | GU30603500 | 1 | |
| 6 | RH lights selector | - | - | - | - | GU30738800 | 1 | |
| | RH lights selector | - | - | USA | - | GU30738820 | 1 | |
| 7 | Nylon washer | - | - | - | - | GU30606900 | 1 | |
| 8 | Throttle cable | - | - | - | - | GU30117500 | 1 | |
| 9 | Left half handlebar | - | - | - | - | GU30600700 | 1 | |
| 10 | Hex socket screw M6x18 | - | - | - | - | GU98610335 | 4 | |
| 11 | Washer | - | - | - | - | GU95001206 | 8 | |
| 12 | Nut M6x1 | - | - | - | - | GU92630206 | 4 | |
| 13 | Choke control | - | - | - | - | GU30135200 | 1 | |
| 14 | Choke cable | - | - | - | - | GU30132800 | 1 | |
| 15 | Return spring 7x1,1x25 | - | - | - | - | GU94321073 | 1 | |
| 16 | LH lights selector | - | - | - | - | GU30738000 | 1 | |
| 17 | LH hand grip | - | - | - | - | GU30603000 | 1 | |
| 18 | H.bars anti.v weight | - | - | - | - | GU30602700 | 2 | |
| 19 | Hex socket screw M6x18 | - | - | - | - | GU98610335 | 2 | |
| 20 | Clutch control | - | - | - | - | GU30605500 | 1 | |
| 21 | Clutch cable | - | - | - | - | GU30093000 | 1 | |
| 22 | Bellows | - | - | - | - | GU23093870 | 1 | |
| 23 | Body | - | - | - | - | 00000000 | 1 | |
| 24 | Lever pin | - | - | - | - | GU30530528 | 1 | |
| 25 | Nut | - | - | - | - | GU92602206 | 1 | |
| 26 | Register | - | - | - | - | GU30602500 | 1 | |
| 27 | U-bolt | - | - | - | - | GU30601000 | 1 | |
| 28 | Screw | - | - | - | - | GU30530529 | 2 | |
| 29 | Bear clutch lever supp. | - | - | - | - | GU30601800 | 1 | |



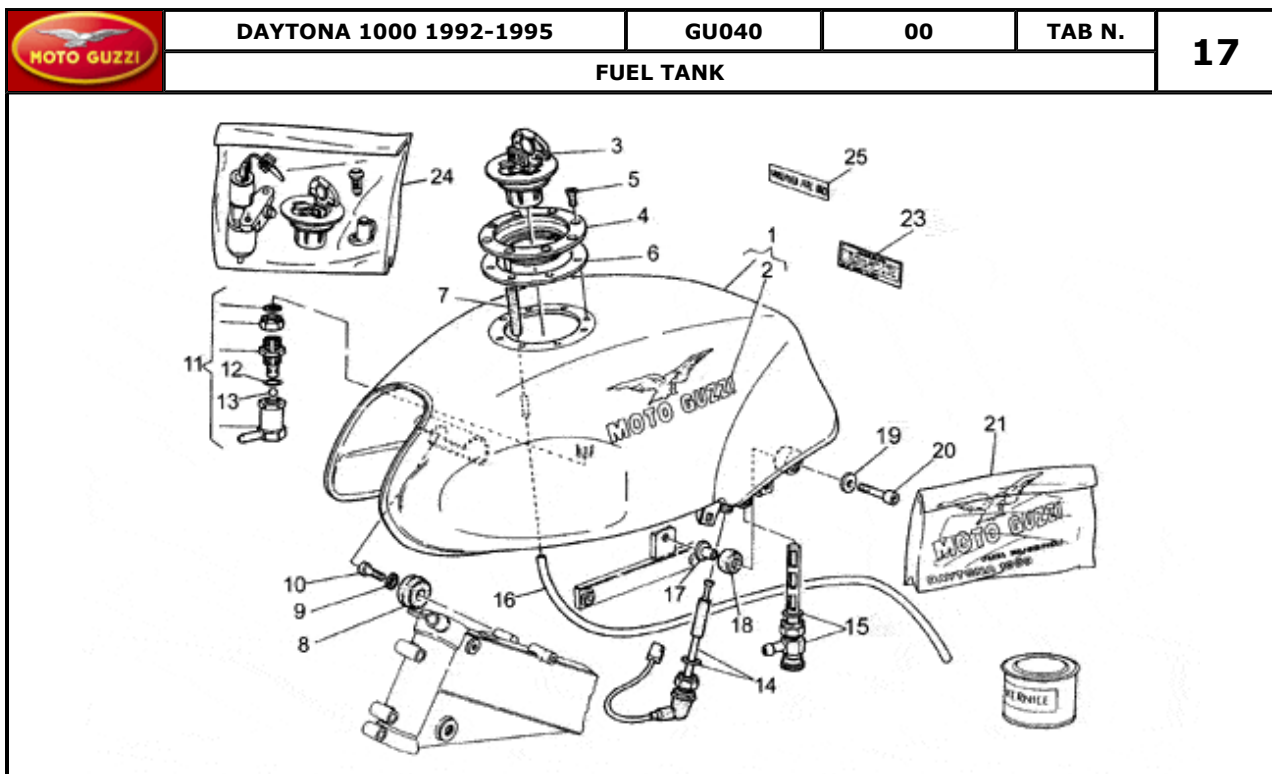
| Pos. | Description | Year | I_M_ | Country | Version | Code | Q.ty | P.Cod. |
|------|----------------------------|------|------|---------|---------|------------|------|--------|
| 1 | Lateral stand | - | - | - | - | GU30432100 | 1 | |
| 2 | Clamp | - | - | - | - | GU30433400 | 1 | |
| 3 | Screw | - | - | - | - | GU30432801 | 1 | |
| 4 | Special washer | - | - | - | - | GU95021114 | 1 | |
| 5 | Central stand fixing screw | - | - | - | - | GU30433200 | 1 | |
| 6 | Plate | - | - | - | - | GU30432700 | 1 | |
| 7 | Outer spring | - | - | - | - | GU30434001 | 1 | |
| 8 | Pipe | - | - | - | - | GU30433800 | 1 | |
| 9 | Inner spring | - | - | - | - | GU30434000 | 1 | |
| 10 | Clamp | - | - | - | - | GU30433600 | 1 | |
| 11 | Drift | - | - | - | - | GU19705900 | 1 | |
| 12 | Footrest support | - | - | - | - | GU30442701 | 2 | |
| 13 | Front footrest | - | - | - | - | GU30443601 | 2 | |
| 14 | Footrest rubber | - | - | - | - | GU30443200 | 2 | |
| 15 | Screw | - | - | - | - | GU98230616 | 2 | |
| 16 | Screw | - | - | - | - | GU98052325 | 2 | |
| 17 | Nut M6x1 | - | - | - | - | GU92630206 | 2 | |
| 18 | Washer 10,5x16x1 | - | - | - | - | GU19149800 | 4 | |
| 19 | Nut | - | - | - | - | GU92660210 | 2 | |



| Pos. | Description | Year | I_M_ | Country | Version | Code | Q.ty | P.Cod. |
|------|-----------------------|------|------|---------|---------|------------|------|--------|
| 1 | Front wheel | - | - | - | - | GU30610301 | 1 | |
| | Front wheel | - | - | - | - | GU30610300 | 1 | |
| 2 | Bearing | - | - | - | - | GU92204218 | 1 | |
| 3 | Spacer | - | - | - | - | GU30615300 | 1 | |
| 4 | Ball bearing 20X47X14 | - | - | - | - | GU92204220 | 1 | |
| 5 | Front brake disc | - | - | - | - | GU30613300 | 2 | |
| 6 | Screw | - | - | - | - | GU98230825 | 12 | |
| 7 | Pin | - | - | - | - | GU30614100 | 1 | |
| 8 | Spacer | - | - | - | - | GU30616300 | 1 | |
| 9 | Air valve | - | - | - | - | GU28617760 | 1 | |
| 10 | Counterweight | - | - | - | - | GU14616150 | 1 | |

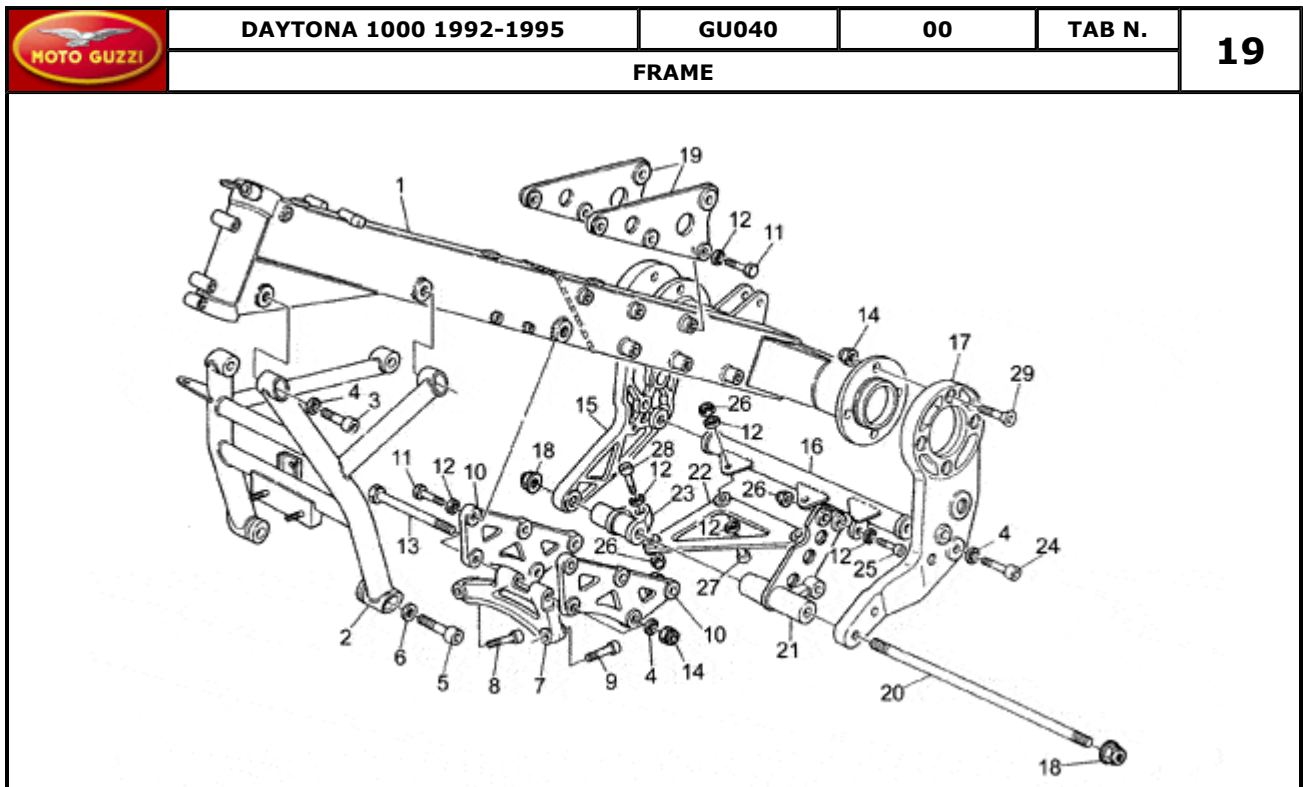


| Pos. | Description | Year | I_M_ | Country | Version | Code | Q.ty | P.Cod. |
|------|-----------------------|------|------|---------|---------|------------|------|--------|
| 1 | Rear wheel | - | - | - | - | GU30630601 | 1 | |
| | Rear wheel | - | - | - | - | GU30630600 | 1 | |
| 2 | Ball bearing 20X47X14 | - | - | - | - | GU92204220 | 1 | |
| 3 | Spacer | - | - | - | - | GU30634000 | 1 | |
| 4 | Ball bearing | - | - | - | - | GU92218422 | 1 | |
| 5 | Slider | - | - | - | - | GU30335200 | 1 | |
| 6 | Screw M8X25 | - | - | - | - | GU12067701 | 8 | |
| 7 | Washer 8,4X13X0,8 | - | - | - | - | GU14615901 | 8 | |
| 8 | Flange | - | - | - | - | GU30632400 | 1 | |
| 9 | Rear brake disc | - | - | - | - | GU30635701 | 1 | |
| 10 | Screw | - | - | - | - | GU98230845 | 5 | |
| 11 | Pin | - | - | - | - | GU30633301 | 1 | |
| 12 | LH outer spacer | - | - | - | - | GU30634802 | 1 | |
| 13 | RH inner spacer | - | - | - | - | GU30634100 | 1 | |
| 14 | Spacer | - | - | - | - | GU30634801 | 10 | |
| 15 | Washer 13x18x1,7 | - | - | - | - | GU30217900 | 1 | |
| 16 | Screw | - | - | - | - | GU30632600 | 1 | |
| 17 | Air valve | - | - | - | - | GU28617760 | 1 | |
| 18 | Counterweight | - | - | - | - | GU14616150 | 1 | |


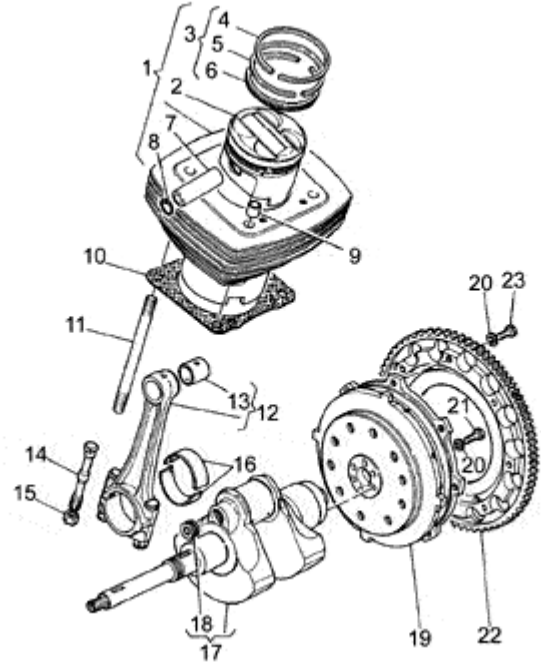



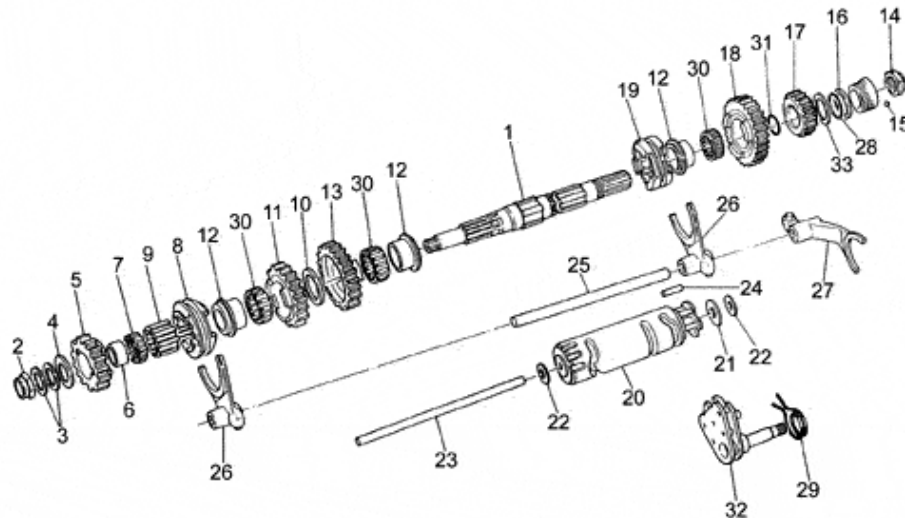
| Pos. | Description | Year | I_M_ | Country | Version | Code | Q.ty | P.Cod. |
|------|------------------------|------|------|---------|---------|---------------|------|--------|
| 1 | Fuel tank | - | - | - | r. | GU30100201 | 1 | |
| | Fuel tank | - | - | - | gr | GU301002001 | 1 | |
| 2 | Fuel tank decal | - | - | - | DO | GU19917835 | 2 | |
| 3 | Fuel filler cap | - | - | - | - | GU30104100 | 1 | |
| 4 | Ring nut | - | - | - | - | GU30102300 | 1 | |
| 5 | Screw | - | - | - | - | GU98250512 | 8 | |
| 6 | Gasket | - | - | - | - | GU30101700 | 1 | |
| 7 | Pipe | - | - | - | - | GU30104300 | 1 | |
| 8 | Rubber spacer | - | - | - | - | GU66103415 | 2 | |
| 9 | Washer 8,4X13X0,8 | - | - | - | - | GU14615901 | 2 | |
| 10 | Screw | - | - | - | - | GU98622420 | 2 | |
| 11 | Anti-return valve cpl | - | - | - | - | GU30104900 | 1 | |
| 12 | O-ring | - | - | - | - | GU90706141 | 1 | |
| 13 | Ball | - | - | - | - | GU92295907 | 1 | |
| 14 | Fuel tank+Fuel sensor | - | - | - | - | GU30103000 | 1 | |
| 15 | Fuel cock | - | - | - | - | GU29105460 | 1 | |
| 16 | Rubber pipe 5X9 | - | - | - | - | GU00823944050 | 1 | |
| 17 | T bush | - | - | - | - | GU30103500 | 2 | |
| 18 | Rubber spacer | - | - | - | - | GU30107100 | 2 | |
| 19 | Washer 6,15x11x0,8 | - | - | - | - | GU95004206 | 2 | |
| 20 | Hex socket screw M6x18 | - | - | - | - | GU98610335 | 2 | |
| 21 | Decal set | - | - | - | DO | GU30923345 | 1 | |
| 23 | Decal "Attention" | - | - | USA | - | GU30944300 | 1 | |
| 24 | Lock hardware kit | - | - | - | - | GU30736800 | 1 | |
| 25 | Decal "Unleaded" | - | - | AUS | - | GU29995755 | 1 | |

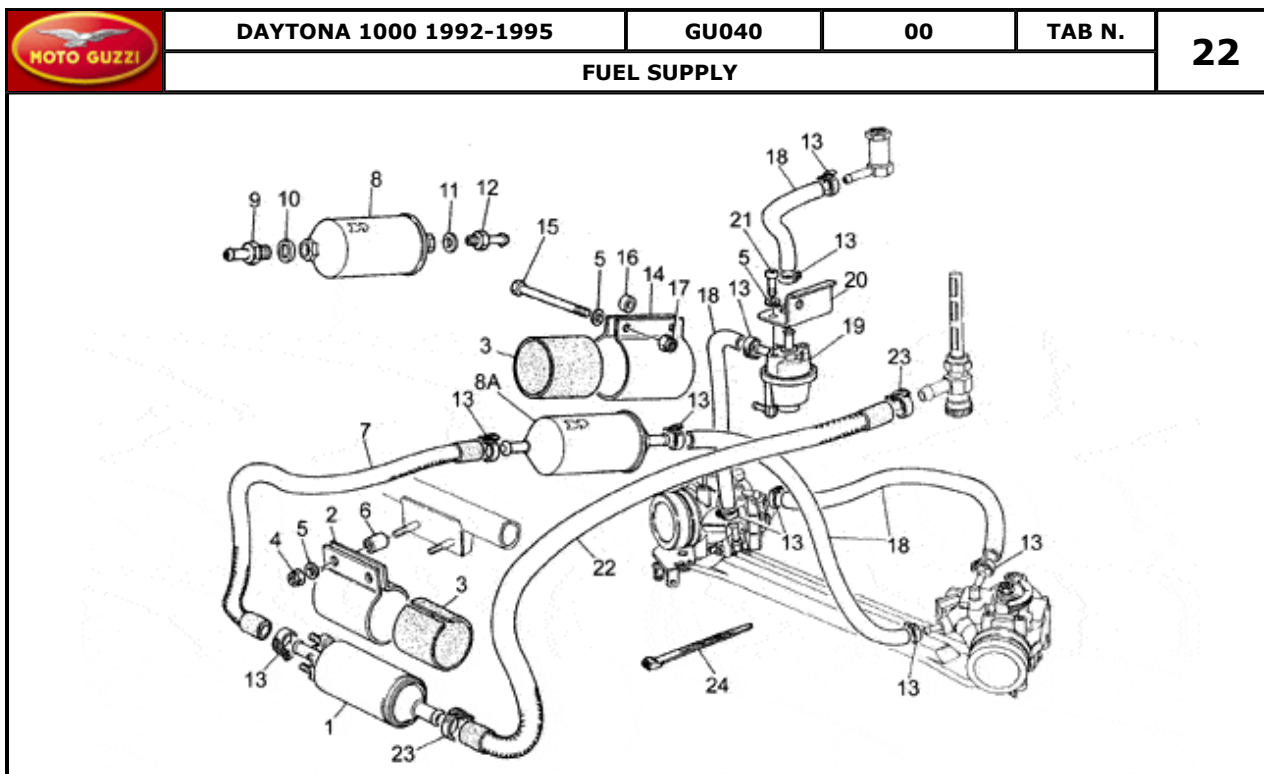
| MOTO GUZZI | | DAYTONA 1000 1992-1995 | GU040 | 00 | TAB N. | 18 | | |
|------------|-------------------------|------------------------|-------|---------|---------|------------|------|--------|
| STEERING | | | | | | | | |
| | | | | | | | | |
| Pos. | Description | Year | I_M_ | Country | Version | Code | Q.ty | P.Cod. |
| 1 | Front fork | - | - | - | - | GU30490200 | 1 | |
| 2 | Steering shock absorber | - | - | - | - | GU30530201 | 1 | |
| 6 | Spacer | - | - | - | - | GU91180810 | 1 | |
| 7 | Nut | - | - | - | - | GU92630108 | 1 | |
| 8 | Nut M8X1,25 | - | - | - | - | GU92602208 | 1 | |
| 9 | Nut | - | - | - | - | GU92700241 | 1 | |
| 10 | Washer | - | - | - | - | GU30516500 | 1 | |
| 11 | Dust cover | - | - | - | - | GU14517000 | 2 | |
| 12 | Clearance washer | - | - | - | - | GU14516700 | 2 | |
| 13 | Tap.roller bearing | - | - | - | - | GU92249225 | 2 | |
| 14 | Screw M8X40 | - | - | - | - | GU98620440 | 1 | |
| 15 | Washer | - | - | - | - | GU95004208 | 3 | |



| Pos. | Description | Year | I_M | Country | Version | Code | Q.ty | P.Cod. |
|------|-------------------|------|-----|---------|---------|------------|------|--------|
| 1 | Frame | - | - | - | - | GU30400100 | 1 | |
| 2 | Front frame | - | - | - | - | GU30420200 | 1 | |
| 3 | Screw | - | - | - | - | GU98610525 | 4 | |
| 4 | Washer 10,5x16x1 | - | - | - | - | GU19149800 | 7 | |
| 5 | Screw | - | - | - | - | GU98612635 | 2 | |
| 6 | Washer 13x18x1,7 | - | - | - | - | GU30217900 | 2 | |
| 7 | Engine support | - | - | - | - | GU30202800 | 1 | |
| 8 | Screw | - | - | - | - | GU98610475 | 1 | |
| 9 | Screw | - | - | - | - | GU98610470 | 1 | |
| 10 | Plate | - | - | - | - | GU30403200 | 2 | |
| 11 | Screw | - | - | - | - | GU98052431 | 10 | |
| 12 | Washer 8,4x13x0,8 | - | - | - | - | GU14615901 | 19 | |
| 13 | Screw | - | - | - | - | GU98072597 | 2 | |
| 14 | Nut M10X1,5 | - | - | - | - | GU92630110 | 8 | |
| 15 | Plate | - | - | - | - | GU30415700 | 1 | |
| 16 | Pipe | - | - | - | - | GU30416600 | 1 | |
| 17 | LH plate | - | - | - | - | GU30415800 | 1 | |
| 18 | Nut | - | - | - | - | GU92630112 | 2 | |
| 19 | Plate | - | - | - | - | GU30417200 | 2 | |
| 20 | Tie rod | - | - | - | - | GU92660112 | 1 | |
| 21 | LH engine support | - | - | - | - | GU30402600 | 1 | |
| 22 | RH engine support | - | - | - | - | GU30402700 | 1 | |
| 23 | Spacer | - | - | - | - | GU30544000 | 1 | |
| 24 | Screw | - | - | - | - | GU98610540 | 1 | |
| 25 | Screw | - | - | - | - | GU98612425 | 1 | |
| 26 | Nut | - | - | - | - | GU92630108 | 4 | |
| 27 | Screw M8X30 | - | - | - | - | GU98622430 | 2 | |
| 28 | Screw | - | - | - | - | GU98622435 | 1 | |
| 29 | Screw | - | - | - | - | GU98251035 | 6 | |

|  | | DAYTONA 1000 1992-1995 | | GU040 | 00 | TAB N. | 20 | |
|--|-----------------------------|------------------------|-----|---------|---------|------------|------|--------|
| DRIVE SHAFT | | | | | | | | |
|  | | | | | | | | |
| Pos. | Description | Year | I_M | Country | Version | Code | Q.ty | P.Cod. |
| 1 | Cylinder, complete | - | - | - | - | GU30060100 | 2 | |
| 2 | Piston | - | - | - | - | GU30060400 | 2 | |
| 3 | Piston rings set | - | - | - | - | GU30060600 | 2 | |
| 4 | Upper segment | - | - | - | - | GU30060700 | 2 | |
| 5 | Lower segment | - | - | - | - | GU30060900 | 2 | |
| 6 | Oil scraper ring | - | - | - | - | GU30061000 | 2 | |
| 7 | Piston pin | - | - | - | - | GU30061241 | 2 | |
| 8 | Stop ring | - | - | - | - | GU90351038 | 4 | |
| 9 | Bush | - | - | - | - | GU91111113 | 4 | |
| 10 | Cylinder base gasket | - | - | - | - | GU30020800 | 2 | |
| 11 | Stud bolt | - | - | - | - | GU30021700 | 8 | |
| 12 | Connecting rod | - | - | - | - | GU30061500 | 2 | |
| 13 | Bush | - | - | - | - | GU91112128 | 2 | |
| 14 | Screw | - | - | - | - | GU30062260 | 4 | |
| 15 | Self-locking nut | - | - | - | - | GU92731090 | 4 | |
| 16 | Bearing half-shell | - | - | - | STD | GU30062000 | 4 | |
| | Bearing half-shell 0,254 mm | - | - | - | M | GU30062001 | 4 | |
| | Bearing half-shell 0,508 mm | - | - | - | M | GU30062002 | 4 | |
| | Bearing half-shell 0,762 mm | - | - | - | M | GU30062003 | 4 | |
| 17 | Drive shaft | - | - | - | - | GU29064161 | 1 | |
| 18 | Plug | - | - | - | - | GU12065400 | 1 | |
| 19 | Flywheel | - | - | - | - | GU30067006 | 1 | |
| 20 | Washer 8,4X13X0,8 | - | - | - | - | GU14615901 | 6 | |
| 21 | Screw M8X25 | - | - | - | - | GU12067701 | 6 | |
| 22 | Chain ring | - | - | - | - | GU30067901 | 1 | |
| 23 | Hex screw M8X20 | - | - | - | - | GU98054420 | 8 | |

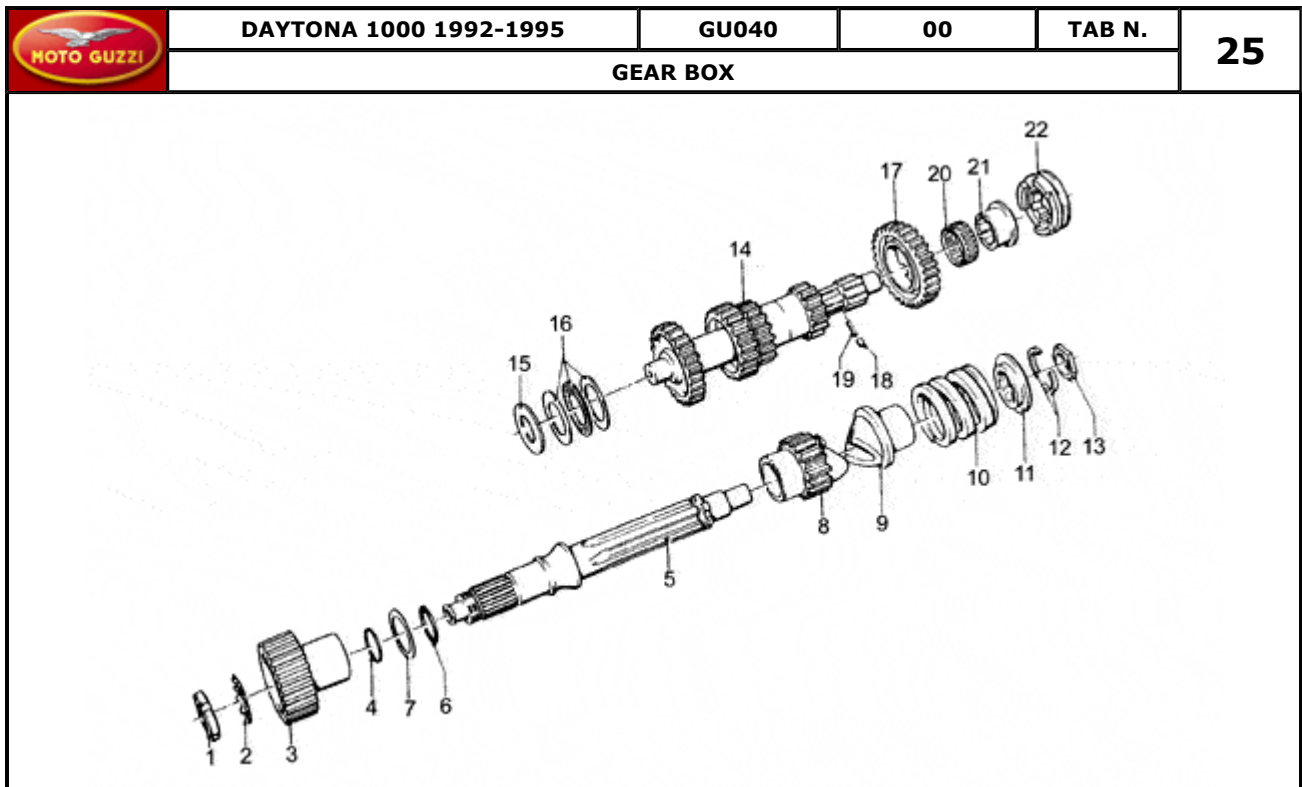
|  | | DAYTONA 1000 1992-1995 | GU040 | 00 | TAB N. | 21 | | |
|--|--------------------------|------------------------|-------|---------|---------|------------|------|--------|
|  | | | | | | | | |
| Pos. | Description | Year | I_M_ | Country | Version | Code | Q.ty | P.Cod. |
| 1 | Driven shaft | - | - | - | - | GU30213602 | 1 | |
| 2 | Nut | - | - | - | - | GU14217410 | 1 | |
| 3 | Shim 17,25x27x0,5 | - | - | - | - | GU43083810 | 2 | |
| 4 | Clearance washer 17,1x30 | - | - | - | - | GU14215400 | 1 | |
| 5 | Gear 4a Z=20 | - | - | - | - | GU30215100 | 1 | |
| 6 | Ring 4a | - | - | - | - | GU92259017 | 1 | |
| 7 | Roller cage 4a A.S. | - | - | - | - | GU92251022 | 1 | |
| 8 | Hose 3a-4a AS | - | - | - | - | GU30231000 | 1 | |
| 9 | Hose | - | - | - | - | GU14232512 | 1 | |
| 10 | Washer 25x40x3 | - | - | - | - | GU14218011 | 1 | |
| 11 | Gear 3a Z=23 | - | - | - | - | GU30214800 | 1 | |
| 12 | Bush 1a-2a-3a AS | - | - | - | - | GU14213001 | 3 | |
| 13 | Gear 2a Z=25 | - | - | - | - | GU30214500 | 1 | |
| 14 | Nut | - | - | - | - | GU14219310 | 1 | |
| 15 | Ball | - | - | - | - | GU92295702 | 1 | |
| 16 | Washer 22,1x32x2 | - | - | - | - | GU14217300 | 1 | |
| 17 | Gear 5a Z=19 | - | - | - | - | GU30215203 | 1 | |
| 18 | Gear 1a Z=29 | - | - | - | - | GU30214200 | 1 | |
| 19 | Sliding sleeve 1a/2a AS | - | - | - | - | GU30230700 | 1 | |
| 20 | Shift cam | - | - | - | - | GU14234405 | 1 | |
| 21 | Washer 8,2x28x1 | - | - | - | - | GU14235500 | 1 | |
| 22 | Shim 0,6 mm | - | - | - | - | GU55235000 | 3 | |
| | Shim 0,8 mm | - | - | - | - | GU55235001 | 3 | |
| | Shim 1 mm | - | - | - | - | GU55235002 | 3 | |
| | Shim 1,2 mm | - | - | - | - | GU55235003 | 3 | |
| 23 | Rod | - | - | - | - | GU14234300 | 1 | |
| 24 | Pin | - | - | - | - | GU14234600 | 4 | |
| 25 | Rod | - | - | - | - | GU14232400 | 1 | |
| 26 | Fork 1a-2a-3a-4a | - | - | - | - | GU14230501 | 2 | |
| 27 | Fork 5a | - | - | - | - | GU14231201 | 1 | |
| 28 | O-ring 21,95x1,78 | - | - | - | - | GU90706219 | 1 | |
| 29 | Spring | - | - | - | - | GU28238261 | 1 | |
| 30 | Roller cage 30x35x13 | - | - | - | - | GU92251030 | 3 | |
| 31 | O-ring 20,24X2,62 | - | - | - | - | GU90706203 | 1 | |
| 32 | Preselection complete | - | - | - | - | GU28236260 | 1 | |
| 33 | Washer | - | - | - | - | GU28217350 | 1 | |



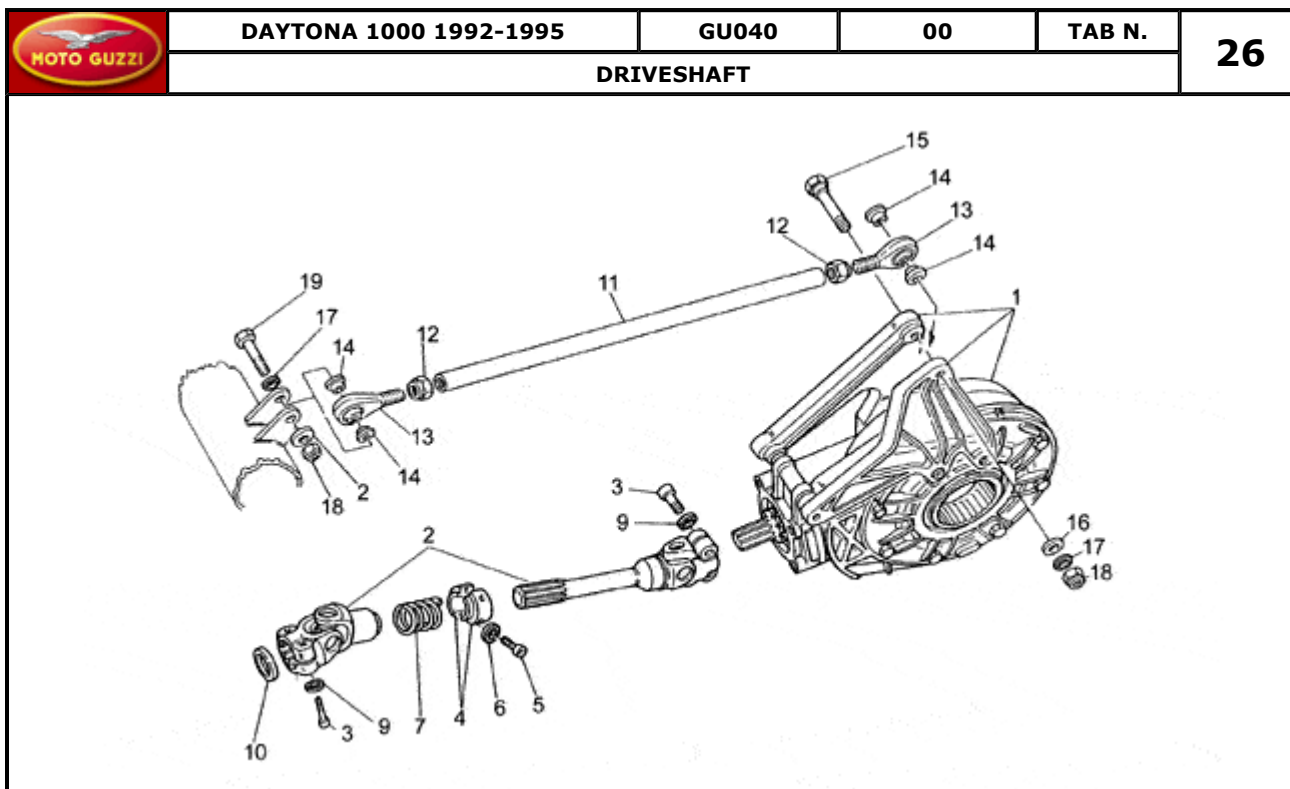
| Pos. | Description | Year | I_M | Country | Version | Code | Q.ty | P.Cod. |
|------|---------------------------|------|-----|---------|---------|---------------|------|--------|
| 1 | Fuel pump | - | - | - | - | GU29107261 | 1 | |
| 2 | Hose clamp | - | - | - | - | GU30107300 | 1 | |
| 3 | Support rubber part | - | - | - | - | GU30105800 | 2 | |
| 4 | Nut M6x1 | - | - | - | - | GU92630106 | 2 | |
| 5 | Washer 6,4x10x0,7 | - | - | - | - | GU14217901 | 8 | |
| 6 | Spacer | - | - | - | - | GU91180618 | 2 | |
| 7 | Pipe from p"ump to filter | - | - | - | - | GU30106100 | 1 | |
| 8 | Fuel filter | - | - | - | 1A | GU29999660 | 1 | |
| | Fuel filter | - | - | - | 2A | GU30106000 | 1 | |
| 9 | Union | - | - | - | 1A | GU30106800 | 1 | |
| 10 | Gasket 14,25 | - | - | - | 1A | GU18161150 | 1 | |
| 11 | Gasket 12,25 | - | - | - | 1A | GU12006400 | 1 | |
| 12 | Union | - | - | - | 1A | GU30106801 | 1 | |
| 13 | Hose clamp | - | - | - | - | GU93305017 | 10 | |
| 14 | Hose clamp | - | - | - | - | GU30113800 | 1 | |
| 15 | Screw | - | - | - | - | GU98052375 | 2 | |
| 16 | Spacer | - | - | - | - | GU91180605 | 2 | |
| 17 | Nut M6x1 | - | - | - | - | GU92630206 | 2 | |
| 18 | Pipe SAEJ30R9 | - | - | - | - | GU00823952080 | 1 | |
| 19 | Fuel pressure regulator | - | - | - | - | GU30112700 | 1 | |
| 20 | Support | - | - | - | - | GU30112901 | 1 | |
| 21 | Screw | - | - | - | - | GU98622310 | 2 | |
| 22 | Fuel pipe | - | - | - | - | GU30106500 | 1 | |
| 23 | Hose clamp | - | - | - | - | GU12157800 | 2 | |
| 24 | Hose clamp 8,8x185 | - | - | - | - | GU30609600 | 4 | |

| MOTO GUZZI | | DAYTONA 1000 1992-1995 | GU040 | 00 | TAB N. | 23 | | |
|------------------|--------------------------------|------------------------|-------|---------|---------|------------|------|--------|
| SPECIFIC TOOLS I | | | | | | | | |
| | | | | | | | | |
| Pos. | Description | Year | I_M_ | Country | Version | Code | Q.ty | P.Cod. |
| 1 | Engine support | - | - | - | - | GU18912450 | 1 | |
| 2 | Gearbox housing support | - | - | - | - | GU14929600 | 1 | |
| 3 | Index plate tim.sett./ign.cont | - | - | - | - | GU19929600 | 1 | |
| 4 | Arrow tim.set.ignition control | - | - | - | - | GU17947560 | 1 | |
| 5 | Flange removal flywheel side | - | - | - | - | GU12913600 | 1 | |
| 6 | Lock flywh.starter motor gear | - | - | - | - | GU12911801 | 1 | |
| 7 | Valve removal and fitting | - | - | - | - | GU10907200 | 1 | |
| 8 | Locking clutch internal body | - | - | - | - | GU30912810 | 1 | |
| 9 | Tool for clutch assembly | - | - | - | - | GU30906510 | 1 | |
| 10 | Clutch shaft disass. | - | - | - | - | GU12905900 | 1 | |
| 11 | Seal ring onto flange fly.side | - | - | - | - | GU14927100 | 1 | |
| 12 | Flange flywheel side | - | - | - | - | GU12912000 | 1 | |
| 13 | Seal ring onto tim.syst.cover | - | - | - | - | GU14927200 | 1 | |
| 14 | Transmis.shaft locking tool | - | - | - | - | GU12907100 | 1 | |
| 15 | pre-selector tool | - | - | - | - | GU14928700 | 1 | |
| 16 | Transmission shaft locking | - | - | - | - | GU14905400 | 1 | |
| 17 | Key | - | - | - | - | GU14912603 | 1 | |
| 18 | Roller bearing extractor | - | - | - | - | GU14913100 | 1 | |
| 19 | Int. race extractor | - | - | - | - | GU14928500 | 1 | |
| 20 | Clutch shaft bearing extractor | - | - | - | - | GU17949260 | 1 | |
| 21 | Bearing ext. race extractor | - | - | - | - | GU17945060 | 1 | |
| 22 | Ball bearing extractor | - | - | - | - | GU14907000 | 1 | |
| 23 | Rollerball bear.trans.housing | - | - | - | - | GU12906900 | 1 | |
| 24 | Bearing int. race extractor | - | - | - | - | GU17948360 | 1 | |
| 25 | Internal race punch | - | - | - | - | GU17948460 | 1 | |
| 26 | Bearing ext. race punch | - | - | - | - | GU17948860 | 1 | |
| 27 | Internal ring punch | - | - | - | - | GU17945460 | 1 | |
| 28 | Internal ring punch | - | - | - | - | GU14928600 | 1 | |
| 29 | Punch ransmis.shaft bearing | - | - | - | - | GU14928900 | 1 | |
| 30 | Punch seal front fork sleeve | - | - | - | - | GU14929100 | 1 | |
| 31 | Roller bearing punch | - | - | - | - | GU14928800 | 1 | |
| 32 | Ball bearing punch | - | - | - | - | GU14929000 | 1 | |
| 33 | Oil seal punch | - | - | - | - | GU14929400 | 1 | |
| 34 | Oil seal punch | - | - | - | - | GU14929500 | 1 | |
| 35 | External race punch | - | - | - | - | GU17945160 | 1 | |
| 36 | Control fork positioner | - | - | - | - | GU14929300 | 1 | |
| 37 | Central stand | - | - | - | 01900N | GU00979717 | 1 | |

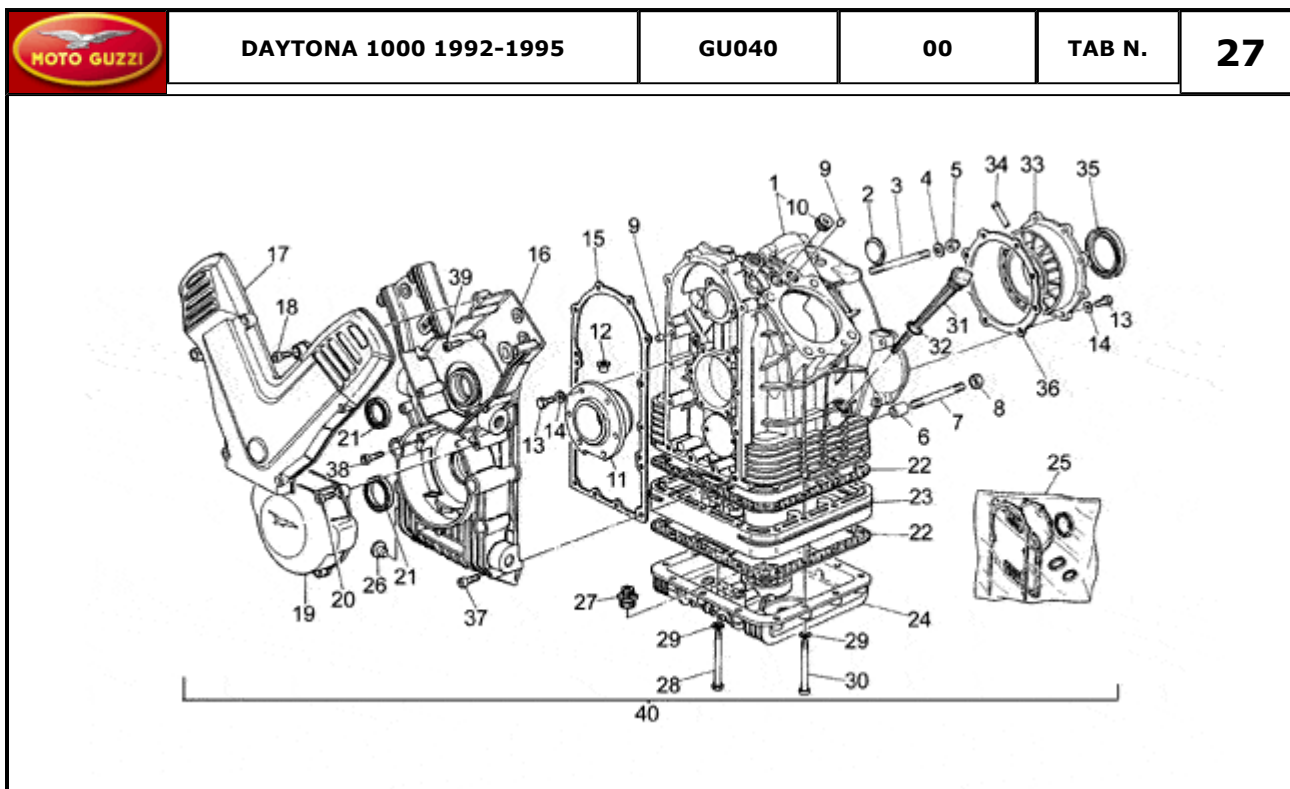
| MOTO GUZZI | | DAYTONA 1000 1992-1995 | GU040 | 00 | TAB N. | 24 | | |
|-------------------|-----------------------------|------------------------|-------|---------|---------|------------|------|--------|
| SPECIFIC TOOLS II | | | | | | | | |
| | | | | | | | | |
| Pos. | Description | Year | I_M_ | Country | Version | Code | Q.ty | P.Cod. |
| 1 | Camshaft turning tool | - | - | - | - | GU30927200 | 1 | |
| 2 | Camshaft pulley tool | - | - | - | - | GU30927300 | 1 | |
| 3 | Secondary shaft pulley tool | - | - | - | - | GU30927600 | 1 | |
| 4 | Timing belt tensioner tool | - | - | - | - | GU30948600 | 1 | |
| 5 | Comparator support | - | - | - | - | GU69907850 | 1 | |
| 6 | Comparator head support | - | - | - | - | GU30948200 | 1 | |
| 7 | Oil pump gear extractor | - | - | - | - | GU30948300 | 1 | |
| 8 | Index plate hub | - | - | - | - | GU30949600 | 1 | |
| 9 | Spark plug key | - | - | - | - | GU61901900 | 1 | |
| 10 | Pin | - | - | - | - | GU30908400 | 1 | |



| Pos. | Description | Year | I_M_ | Country | Version | Code | Q.ty | P.Cod. |
|------|-------------------------------------|------|------|---------|---------|------------|------|--------|
| 1 | Ring nut | - | - | - | - | GU93601022 | 1 | |
| 2 | Washer 22x20x3,9 | - | - | - | - | GU95028022 | 1 | |
| 3 | Clutch gear | - | - | - | - | GU30081810 | 1 | |
| 4 | O-ring 23,52x1,78 | - | - | - | - | GU90706235 | 1 | |
| 5 | Clutch shaft | - | - | - | - | GU14210702 | 1 | |
| 6 | O-ring 20,24X2,62 | - | - | - | - | GU90706203 | 1 | |
| 7 | Oil-spreading washer 25,1x36x0,5 | - | - | - | - | GU14218401 | 1 | |
| 8 | Gear folle Z=17 | - | - | - | - | GU30211100 | 1 | |
| 9 | Hose | - | - | - | - | GU14211201 | 1 | |
| 10 | Belleville spring | - | - | - | - | GU13211500 | 8 | |
| 11 | Disc | - | - | - | - | GU14211600 | 1 | |
| 12 | Half ring | - | - | - | - | GU12211700 | 2 | |
| 13 | Spacer | - | - | - | - | GU14219401 | 1 | |
| 14 | Primary gear shaft | - | - | - | - | GU30210500 | 1 | |
| 15 | Thrust washer sp.2 | - | - | - | - | GU18211050 | 1 | |
| | Thrust washer sp.2,1 | - | - | - | - | GU18211051 | 1 | |
| | Thrust washer sp.2,2 | - | - | - | - | GU18211052 | 1 | |
| | Thrust washer sp.2,4 | - | - | - | - | GU18211054 | 1 | |
| 16 | Roller bearing | - | - | - | - | GU92258525 | 1 | |
| 17 | Gear conduttore 5a Z=26 | - | - | - | - | GU31212000 | 1 | |
| 18 | Roller | - | - | - | - | GU92296750 | 1 | |
| 19 | Spring | - | - | - | - | GU94321051 | 1 | |
| 20 | Roller cage 30x35x13 | - | - | - | - | GU92251030 | 1 | |
| 21 | Bush 5a AP | - | - | - | - | GU14212210 | 1 | |
| 22 | Sliding sleeve 5a | - | - | - | - | GU30231500 | 1 | |

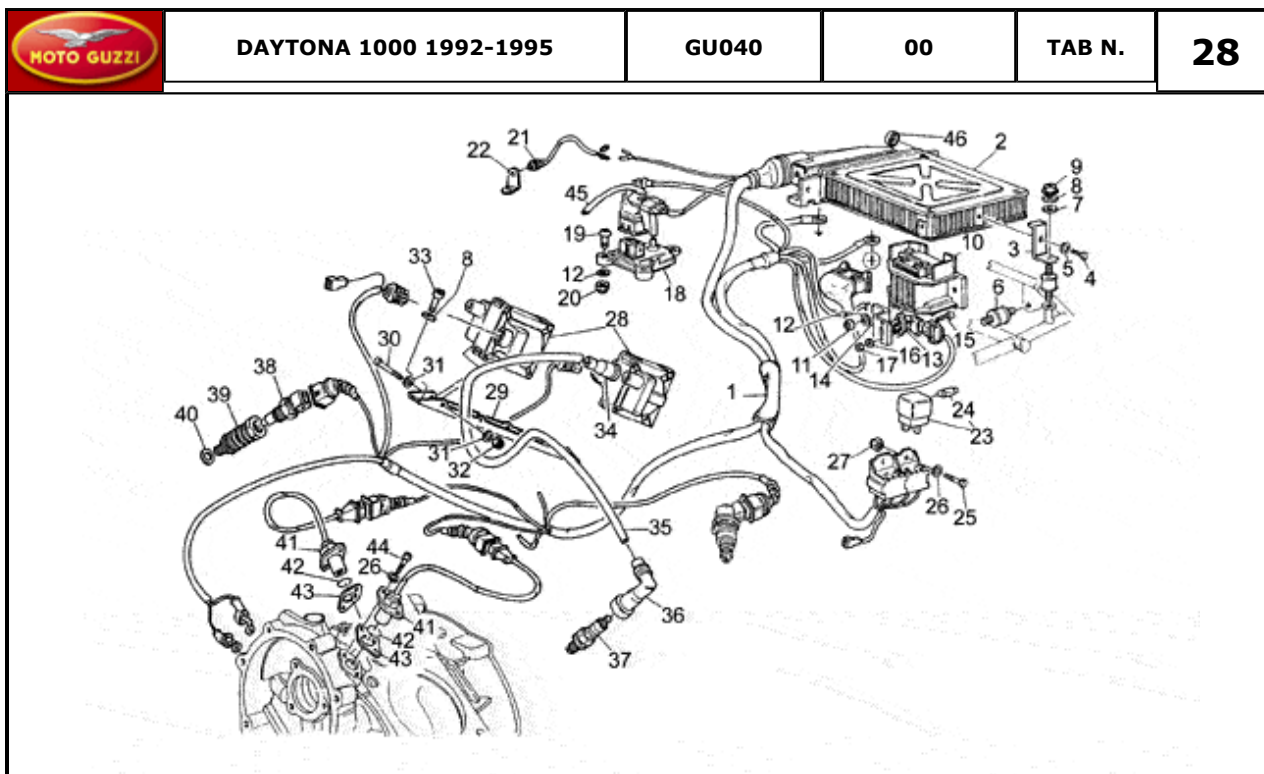


| Pos. | Description | Year | I_M_ | Country | Version | Code | Q.ty | P.Cod. |
|------|------------------------|------|------|---------|---------|------------|------|--------|
| 1 | Transmission complete | - | - | - | - | GU30350202 | 1 | |
| 2 | Drive shaft | - | - | - | - | GU30329502 | 1 | |
| 3 | Screw | - | - | - | - | GU98832430 | 4 | |
| 4 | Clump | - | - | - | - | GU30211700 | 2 | |
| 5 | Hex socket screw M5x16 | - | - | - | - | GU98612216 | 2 | |
| 6 | Washer 5,9X3X0,8 | - | - | - | - | GU29217960 | 2 | |
| 7 | Spring | - | - | - | - | GU28037460 | 1 | |
| 9 | Washer 8,4X13X0,8 | - | - | - | - | GU14615901 | 4 | |
| 10 | Spacer | - | - | - | - | GU30334600 | 1 | |
| 11 | Reaction rod assy. | - | - | - | - | GU30358902 | 1 | |
| 12 | Nut M12X1,75 | - | - | - | - | GU92602212 | 2 | |
| 13 | Ball joint M12 | - | - | - | - | GU30359200 | 2 | |
| 14 | Bush | - | - | - | - | GU30636700 | 4 | |
| 15 | Screw M10X69 | - | - | - | - | GU30357800 | 1 | |
| 16 | Washer | - | - | - | - | GU95000210 | 1 | |
| 17 | Washer 10,5x16x1 | - | - | - | - | GU19149800 | 2 | |
| 18 | Nut M10x1,25 | - | - | - | - | GU92630410 | 2 | |
| 19 | Pin | - | - | - | - | GU30357700 | 1 | |
| 20 | Spacer | - | - | - | - | GU95100303 | 1 | |



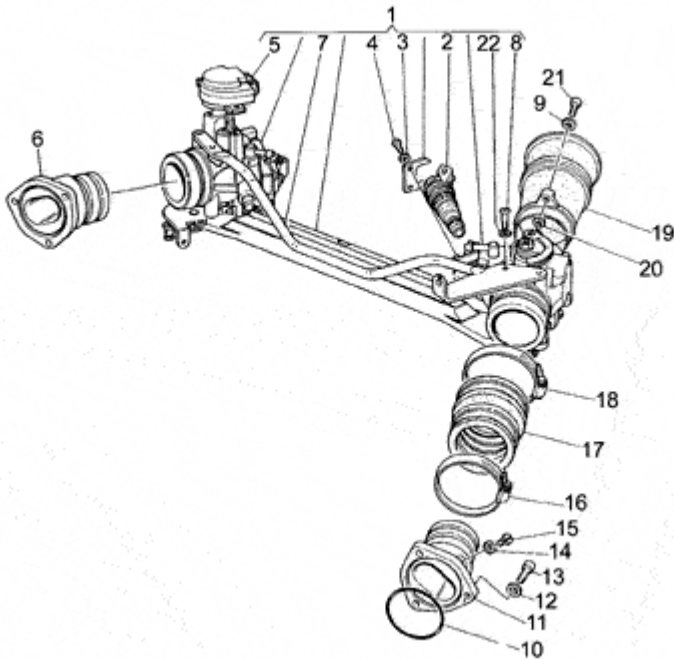
| Pos. | Description | Year | I_M | Country | Version | Code | Q.ty | P.Cod. |
|------|----------------------------|------|-----|---------|---------|------------|------|--------|
| 1 | Crankcase | - | - | - | - | GU30000700 | 1 | |
| 2 | Disc | - | - | - | - | GU12003900 | 1 | |
| 3 | Stud bolt M8X66 | - | - | - | - | GU96508066 | 4 | |
| 4 | Washer | - | - | - | - | GU95004208 | 5 | |
| 5 | Nut | - | - | - | - | GU92781081 | 2 | |
| 6 | Coupling bush | - | - | - | - | GU12018900 | 2 | |
| 7 | Stud bolt M8x75 | - | - | - | - | GU96508075 | 2 | |
| 8 | Nut M8X1,25 | - | - | - | - | GU92602208 | 4 | |
| 9 | Pin | - | - | - | - | GU95512081 | 4 | |
| 10 | Plug | - | - | - | - | GU12065400 | 4 | |
| 11 | Complete flange | - | - | - | STD | GU14011900 | 1 | |
| | Flange min.0,2 mm | - | - | - | M | GU14011901 | 1 | |
| 12 | Pin | - | - | - | - | GU12012200 | 1 | |
| 13 | Screw M8X25 | - | - | - | - | GU98054425 | 14 | |
| 14 | Spring washer 8x15x0,3 | - | - | - | - | GU61270300 | 14 | |
| 15 | Cover gasket | - | - | - | - | GU12001200 | 1 | |
| 16 | Timing system cover | - | - | - | - | GU30001400 | 1 | |
| 17 | Cover | - | - | - | - | GU30056800 | 1 | |
| 18 | Screw | - | - | - | - | GU98612320 | 6 | |
| 19 | Cover | - | - | - | - | GU30001600 | 1 | |
| 20 | Hex socket screw M6X16 | - | - | - | - | GU98622316 | 3 | |
| 21 | Gasket ring 28x38x7 | - | - | - | - | GU90402840 | 2 | |
| 22 | Sump gasket | - | - | - | - | GU14003600 | 2 | |
| 23 | Motor oil flange | - | - | - | - | GU14003240 | 1 | |
| 24 | Motor oil cup | - | - | - | - | GU30003500 | 1 | |
| 25 | Engine oil seal gasket kit | - | - | - | - | GU30998900 | 1 | |
| 26 | Plug | - | - | - | - | GU30002100 | 1 | |
| 27 | Oil filter union 61 mm | - | - | - | - | GU14003800 | 1 | |
| 28 | Screw | - | - | - | - | GU98052390 | 4 | |
| 29 | Washer 6,15x11x0,8 | - | - | - | - | GU95004206 | 18 | |
| 30 | Screw M6X60 | - | - | - | - | GU98620355 | 14 | |
| 31 | Oil plug | - | - | - | - | GU30004910 | 1 | |
| 32 | O-ring 17,86X2,62 | - | - | - | - | GU90706178 | 1 | |

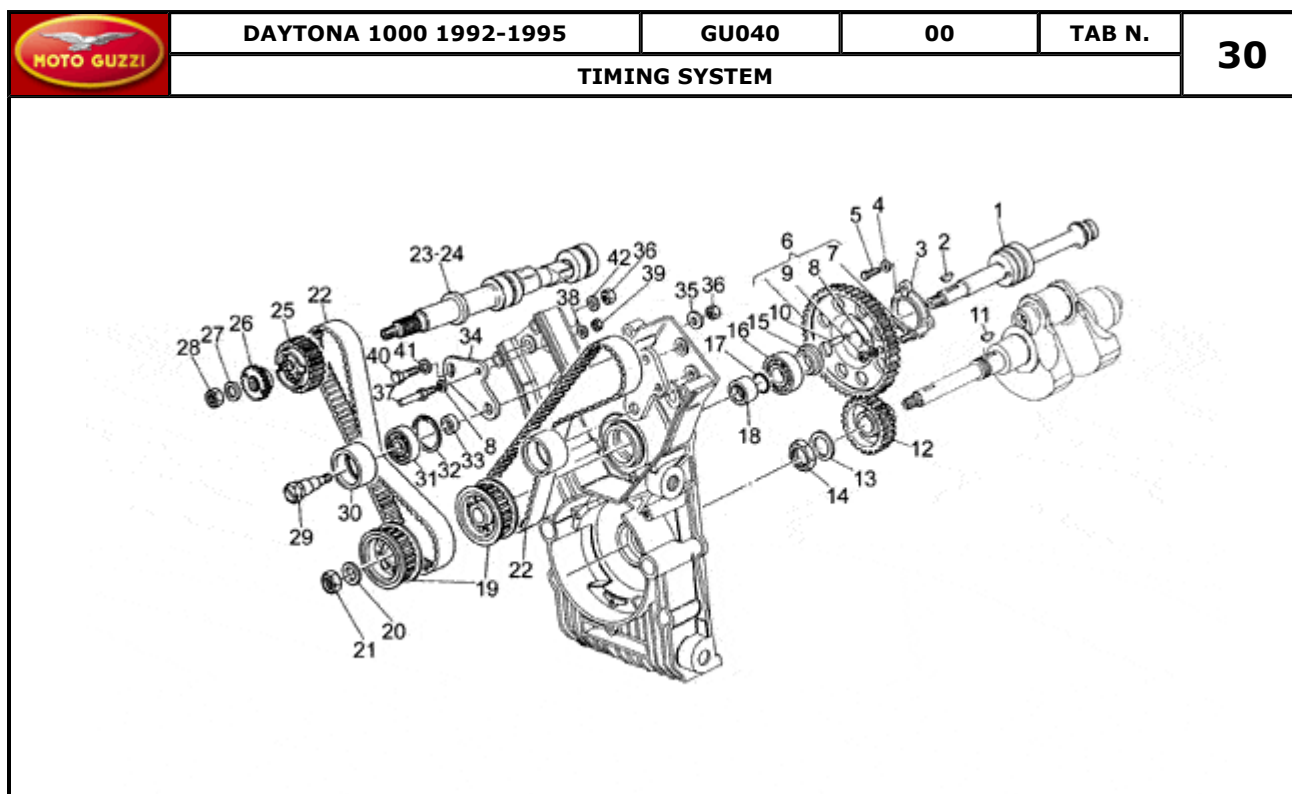
| | | | | | | | | |
|----|------------------------|---|---|---|-----|---|------------|---|
| 33 | Flange min.0,6 mm | - | - | - | M | - | GU12011403 | 1 |
| | Flange min.0,4 mm | - | - | - | M | - | GU12011402 | 1 |
| | Complete flange | - | - | - | STD | - | GU12011400 | 1 |
| | Flange min.0,2 mm | - | - | - | M | - | GU12011401 | 1 |
| 34 | Pin | - | - | - | - | - | GU12011700 | 1 |
| 35 | Gasket ring | - | - | - | - | - | GU90405367 | 1 |
| 36 | Gasket | - | - | - | - | - | GU12011800 | 1 |
| 37 | Screw M6X35 | - | - | - | - | - | GU98620335 | 8 |
| 38 | Hex socket screw M6X25 | - | - | - | - | - | GU98622325 | 4 |
| 39 | Screw | - | - | - | - | - | GU98622320 | 2 |
| 40 | Engine cpl. | - | - | - | - | - | GU30991000 | 1 |



| Pos. | Description | Year | I_M | Country | Version | Code | Q.ty | P.Cod. |
|------|--------------------------|------|-----|---------|---------|------------|------|--------|
| 1 | Injection wiring | - | - | - | - | GU30725800 | 1 | |
| 2 | Electronic control unit | - | - | - | - | GU30729500 | 1 | |
| 3 | Clamp | - | - | - | - | GU30728700 | 1 | |
| 4 | Screw | - | - | - | - | GU98054210 | 1 | |
| 5 | Washer | - | - | - | - | GU95000205 | 1 | |
| 6 | Block | - | - | - | - | GU29737960 | 5 | |
| 7 | Washer 6,4x12x1,2 | - | - | - | - | GU95100141 | 3 | |
| 8 | Washer 6,4x10x0,7 | - | - | - | - | GU14217901 | 5 | |
| 9 | Self-locking nut M6 | - | - | - | - | GU92660006 | 3 | |
| 10 | Power modules | - | - | - | - | GU29724460 | 1 | |
| 11 | Nut M6x1 | - | - | - | - | GU92630106 | 2 | |
| 12 | Washer 6,15x11x0,8 | - | - | - | - | GU95004206 | 5 | |
| 13 | Air temp. Sensor | - | - | - | - | GU30729331 | 1 | |
| 14 | Sensor support | - | - | - | - | GU30728230 | 1 | |
| 15 | Screw | - | - | - | - | GU98610110 | 2 | |
| 16 | Washer | - | - | - | - | GU95120032 | 2 | |
| 17 | Nut | - | - | - | - | GU92601003 | 2 | |
| 18 | Pressure sensor | - | - | - | - | GU29727061 | 1 | |
| 19 | Screw | - | - | - | - | GU98230622 | 3 | |
| 20 | Nut M6x1 | - | - | - | - | GU92630206 | 3 | |
| 21 | Led | - | - | - | - | GU29727860 | 1 | |
| 22 | Support plate | - | - | - | - | GU30732900 | 1 | |
| 23 | Relay Siemens A302/B1008 | - | - | - | - | GU30732560 | 2 | |
| 24 | Fuse 16A | - | - | - | - | GU17742550 | 2 | |
| 25 | Screw | - | - | - | - | GU98054212 | 2 | |
| 26 | Washer | - | - | - | - | GU95004205 | 6 | |
| 27 | Nut | - | - | - | - | GU92630105 | 1 | |
| 28 | HT coil | - | - | - | - | GU30716500 | 2 | |
| 29 | Coil holder | - | - | - | - | GU30716700 | 1 | |
| 30 | Screw | - | - | - | - | GU98610130 | 4 | |
| 31 | Washer | - | - | - | - | GU95004204 | 8 | |
| 32 | Nut M4x0,7 | - | - | - | - | GU92630104 | 4 | |
| 33 | Hex socket screw M6x16 | - | - | - | - | GU98612316 | 2 | |
| 34 | Cap | - | - | - | - | GU14717600 | 2 | |

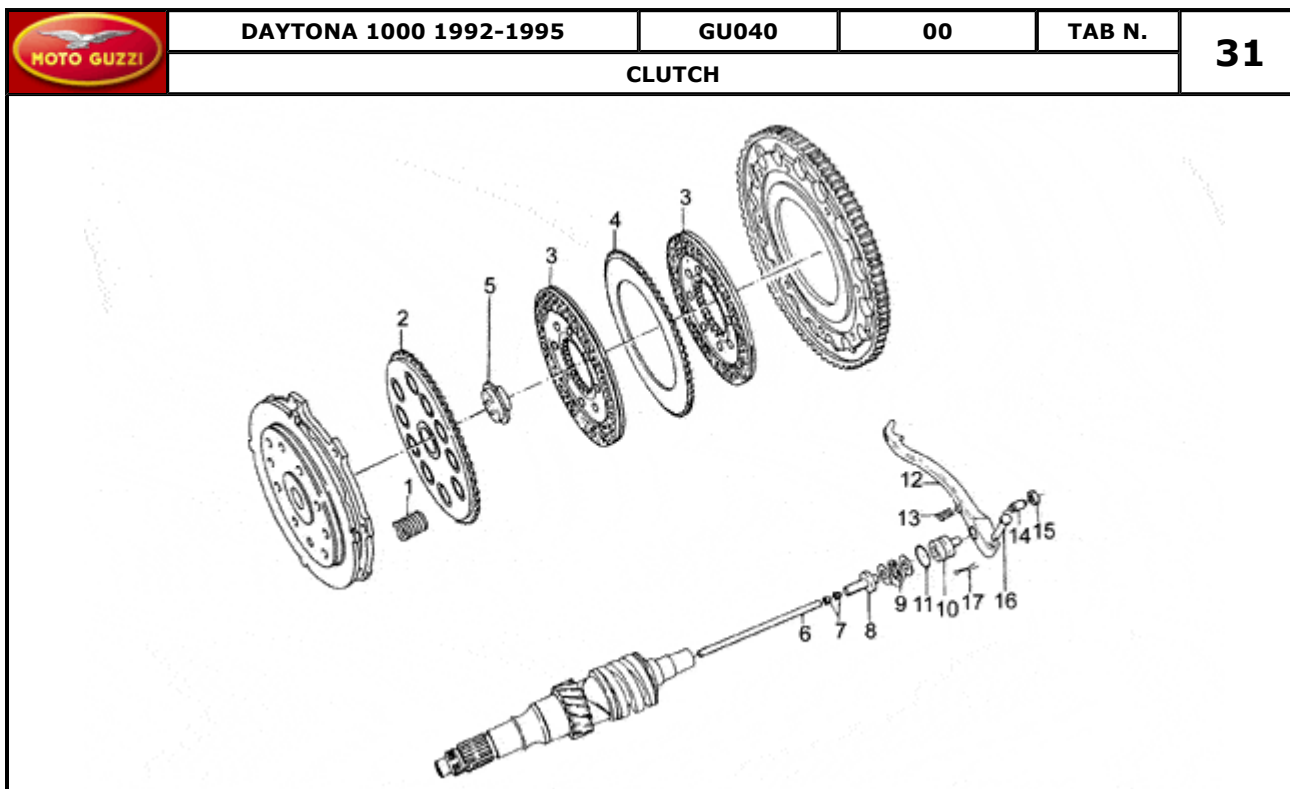
| | | | | | | | | |
|----|------------------------|---|---|---|---|---|---------------|---|
| 35 | HT cable | - | - | - | - | - | GU17718350 | 2 |
| 36 | Sparkplug cap | - | - | - | - | - | GU30717400 | 2 |
| 37 | Spark plug NGK D9EA | - | - | - | - | - | GU30717001 | 2 |
| 38 | Oil temperature sensor | - | - | - | - | - | GU29729461 | 1 |
| 39 | Sensor support | - | - | - | - | - | GU30163301 | 1 |
| 40 | Washer 10,2x18x2 | - | - | - | - | - | GU95004210 | 1 |
| 41 | Timing and rev sensor | - | - | - | - | - | GU29721660 | 2 |
| 42 | O-ring | - | - | - | - | - | GU90706141 | 2 |
| 43 | Gasket 0,5 mm | - | - | - | - | - | GU29722760 | 2 |
| 44 | Hex socket screw M5X10 | - | - | - | - | - | GU98622210 | 4 |
| 45 | Breather pipe | - | - | - | - | - | GU00823946060 | 1 |
| 46 | Tamper-proof plug | - | - | - | - | - | GU29729762 | 1 |

| MOTO GUZZI | | DAYTONA 1000 1992-1995 | | GU040 | | 00 | | TAB N. | | 29 |
|--|------------------------|------------------------|------|---------|---------|------------|------|--------|--|----|
| THROTTLE BODY | | | | | | | | | | |
|  | | | | | | | | | | |
| Pos. | Description | Year | I_M_ | Country | Version | Code | Q.ty | P.Cod. | | |
| 1 | Throttle body | - | - | - | - | GU30112501 | 1 | | | |
| 2 | Injector IW724 | - | - | - | - | GU30530500 | 2 | | | |
| 3 | Washer | - | - | - | - | GU95020104 | 4 | | | |
| 4 | Screw | - | - | - | - | GU98200410 | 4 | | | |
| 5 | Throttle body sensor | - | - | - | - | GU30530501 | 1 | | | |
| 6 | RH intake manifold | - | - | - | - | GU30115002 | 1 | | | |
| 7 | Support | - | - | - | - | GU30110500 | 1 | | | |
| 8 | Hex socket screw M5x10 | - | - | - | - | GU98230510 | 4 | | | |
| 9 | Washer | - | - | - | - | GU95004205 | 4 | | | |
| 10 | Gasket ring | - | - | - | - | GU90706552 | 2 | | | |
| 11 | LH intake manifold | - | - | - | - | GU30115003 | 1 | | | |
| 12 | Washer 6,15x11x0,8 | - | - | - | - | GU95004206 | 6 | | | |
| 13 | Hex socket screw M6X25 | - | - | - | - | GU98622325 | 6 | | | |
| 14 | Washer 6,25x10x1,5 | - | - | - | - | GU95100116 | 2 | | | |
| 15 | Screw | - | - | - | - | GU98326009 | 2 | | | |
| 16 | Clamp | - | - | - | - | GU12548401 | 2 | | | |
| 17 | Intake hose | - | - | - | - | GU30114300 | 2 | | | |
| 18 | Hose clamp 62/82 mm | - | - | - | - | GU12548201 | 2 | | | |
| 19 | Intake hose | - | - | - | - | GU30114400 | 2 | | | |
| 20 | Spacer | - | - | - | - | GU30114900 | 4 | | | |
| 21 | Screw | - | - | - | - | GU98054216 | 4 | | | |
| 22 | Washer 5,9X3X0,8 | - | - | - | - | GU29217960 | 4 | | | |

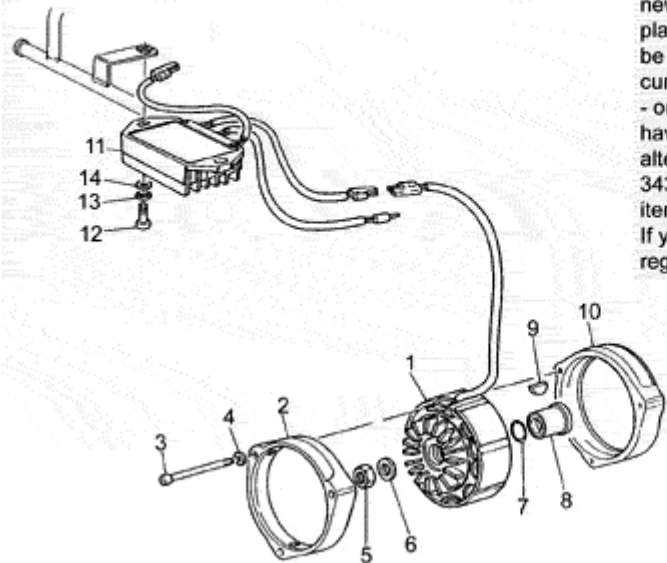



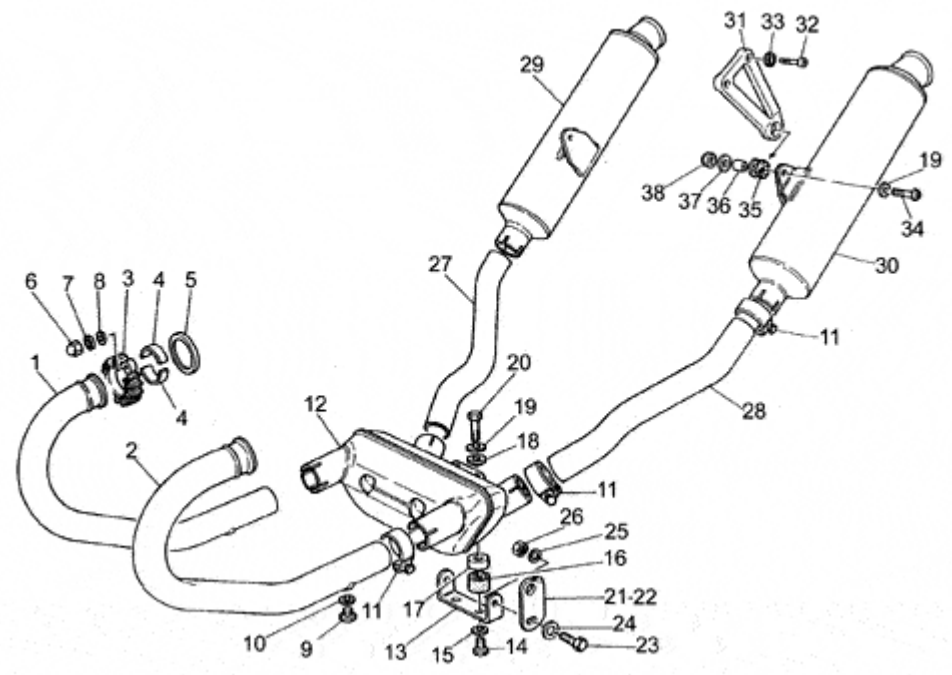
| Pos. | Description | Year | I_M | Country | Version | Code | Q.ty | P.Cod. |
|------|------------------------|------|-----|---------|---------|------------|------|--------|
| 1 | Shaft | - | - | - | - | GU30052000 | 1 | |
| 2 | Transmission key | - | - | - | - | GU91600565 | 1 | |
| 3 | Flange | - | - | - | - | GU12054000 | 1 | |
| 4 | Washer 6,5x11x2 | - | - | - | - | GU95120065 | 3 | |
| 5 | Hex screw M6X20 | - | - | - | - | GU98054320 | 3 | |
| 6 | Timing gear | - | - | - | - | GU30054400 | 1 | |
| 7 | Pin | - | - | - | - | GU30054700 | 1 | |
| 8 | Washer | - | - | - | - | GU95000206 | 3 | |
| 9 | Nut | - | - | - | - | GU92601406 | 1 | |
| 10 | Pin | - | - | - | - | GU14234600 | 2 | |
| 11 | Transmission key | - | - | - | - | GU91702355 | 1 | |
| 12 | Gear | - | - | - | - | GU30072000 | 1 | |
| 13 | Washer 25,5x35x2 | - | - | - | - | GU95100837 | 1 | |
| 14 | Nut M25 | - | - | - | - | GU92602525 | 1 | |
| 15 | Spacer | - | - | - | - | GU30057700 | 1 | |
| 16 | Bearing 20X47X14 | - | - | - | - | GU92201220 | 1 | |
| 17 | Gasket ring 18,77X1,78 | - | - | - | - | GU90706188 | 1 | |
| 18 | Spacer | - | - | - | - | GU30057900 | 1 | |
| 19 | Distribution pulley | - | - | - | - | GU30057400 | 2 | |
| 20 | Washer 17X27X2 | - | - | - | - | GU95004217 | 1 | |
| 21 | Nut M6X1,5 | - | - | - | - | GU92602316 | 1 | |
| 22 | Timing belt | - | - | - | - | GU30055300 | 2 | |
| 23 | RH camshaft | - | - | - | - | GU30053300 | 1 | |
| 24 | LH camshaft | - | - | - | - | GU30053301 | 1 | |
| 25 | Camshaft pulley | - | - | - | - | GU30056500 | 2 | |
| 26 | Gear | - | - | - | - | GU30056400 | 2 | |
| 27 | Washer | - | - | - | - | GU95100524 | 2 | |
| 28 | Nut M14X1,5 | - | - | - | - | GU92602514 | 2 | |
| 29 | Belt tensioner pin | - | - | - | - | GU30059300 | 2 | |
| 30 | Belt tensioner | - | - | - | - | GU30058700 | 2 | |
| 31 | Bearing 15X42X13 | - | - | - | - | GU92201414 | 2 | |
| 32 | Circlip | - | - | - | - | GU90272042 | 2 | |
| 33 | Spacer | - | - | - | - | GU91181206 | 2 | |

| | | | | | | | | |
|----|------------------------|---|---|---|---|---|------------|---|
| 34 | Plate | - | - | - | - | - | GU30058300 | 2 |
| 35 | Washer | - | - | - | - | - | GU30054800 | 2 |
| 36 | Nut M8X1,25 | - | - | - | - | - | GU92602208 | 4 |
| 37 | Pin | - | - | - | - | - | GU30059400 | 2 |
| 38 | Washer | - | - | - | - | - | GU95129115 | 2 |
| 39 | Nut M6X1,5 | - | - | - | - | - | GU92602006 | 2 |
| 40 | Screw M8X22 | - | - | - | - | - | GU98054422 | 2 |
| 41 | Washer | - | - | - | - | - | GU95000208 | 2 |
| 42 | Spring washer 8x15x0,3 | - | - | - | - | - | GU61270300 | 2 |

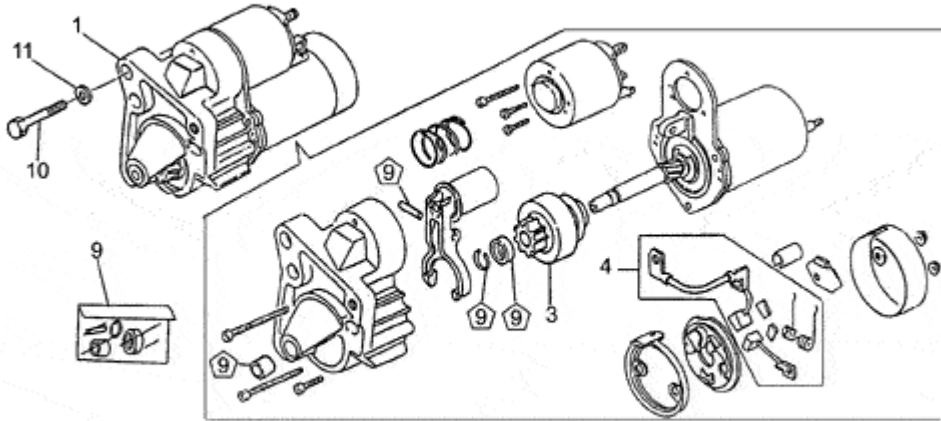


| Pos. | Description | Year | I_M_ | Country | Version | Code | Q.ty | P.Cod. |
|------|-----------------------|------|------|---------|---------|------------|------|--------|
| 1 | Clutch spring | - | - | - | - | GU13084100 | 10 | |
| 2 | Disc | - | - | - | - | GU30082900 | 1 | |
| 3 | Clutch plate complete | - | - | - | - | GU29084450 | 2 | |
| 4 | Intermediate plate | - | - | - | - | GU12082300 | 1 | |
| 5 | Cup | - | - | - | - | GU12082800 | 1 | |
| 6 | Rod | - | - | - | - | GU14085700 | 1 | |
| 7 | Bush | - | - | - | - | GU14085900 | 2 | |
| 8 | Inner body | - | - | - | - | GU14086000 | 1 | |
| 9 | Thrust bearing | - | - | - | - | GU12087001 | 1 | |
| 10 | Outer body | - | - | - | - | GU14086100 | 1 | |
| 11 | O-ring 17,13x2,62 | - | - | - | - | GU90706170 | 1 | |
| 12 | Clutch release shaft | - | - | - | - | GU14090202 | 1 | |
| 13 | Lever return spring | - | - | - | - | GU94321105 | 1 | |
| 14 | Adjuster screw | - | - | - | - | GU30090400 | 1 | |
| 15 | Nut M8X1 | - | - | - | - | GU92602508 | 1 | |
| 16 | Pin 7x39 | - | - | - | - | GU95780271 | 1 | |
| 17 | Split pin | - | - | - | - | GU95500222 | 1 | |

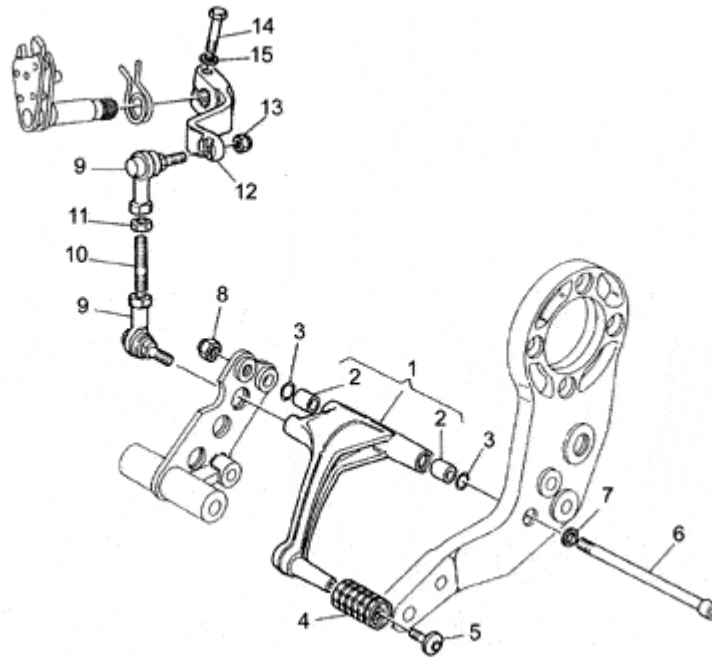
| MOTO GUZZI | DAYTONA 1000 1992-1995 | GU040 | 00 | TAB N. | 32 | | | |
|--|------------------------|-------|-----|---------|---------|------------|------|--------|
| | GENERATOR | | | | | | | |
|  <p>The new regulator, item 0037733805000 (DUCATI 34637), replaces the old one, code 0029703861000; it can be placed either with the old alternator or with the new one. The new alternator, item 0037712405000, can't be placed together with the old regulator: it could be damaged because of the higher charging current. If you just have to replace the alternator: - order the alternator 0030712400000 if you have a DUCATI 343629 regulator; - order the alternator 0037712405000 if you have a DUCATI 343637 regulator. Please order the new alternator, item 0037712405000, if the old has been sold out. If you have to replace both alternator and the regulator, please order the latest type parts.</p> | | | | | | | | |
| Pos. | Description | Year | I_M | Country | Version | Code | Q.ty | P.Cod. |
| 1 | Generator | - | - | - | - | GU37712405 | 1 | |
| 2 | Front calotte | - | - | - | - | GU29711460 | 1 | |
| 3 | Screw | - | - | - | - | GU98620265 | 3 | |
| 4 | Washer 5,9X3X0,8 | - | - | - | - | GU29217960 | 3 | |
| 5 | Nut M16X1,5 | - | - | - | - | GU92603516 | 1 | |
| 6 | Washer | - | - | - | - | GU30714200 | 1 | |
| 7 | O-ring 17,86X2,62 | - | - | - | - | GU90706178 | 1 | |
| 8 | Spacer | - | - | - | - | GU37712300 | 1 | |
| 9 | Transmission key | - | - | - | - | GU91600450 | 1 | |
| 10 | Rear cap | - | - | - | - | GU29711960 | 1 | |
| 11 | Voltage regulator | - | - | - | - | GU37703805 | 1 | |
| 12 | Hex socket screw M6X16 | - | - | - | - | GU98622316 | 2 | |
| 13 | Washer 6,4x10x0,7 | - | - | - | - | GU14217901 | 2 | |
| 14 | Washer | - | - | - | - | GU95000206 | 2 | |

|  | | DAYTONA 1000 1992-1995 | | GU040 | 00 | TAB N. | 33 | |
|--|------------------------|------------------------|-----|---------|------------------|------------|------|--------|
| EXHAUST UNIT | | | | | | | | |
|  | | | | | | | | |
| Pos. | Description | Year | I_M | Country | Version | Code | Q.ty | P.Cod. |
| 1 | RH exhaust pipe | - | - | - | - | GU30120900 | 1 | |
| 2 | LH exhaust pipe | - | - | - | - | GU30120901 | 1 | |
| 3 | Flange | - | - | - | - | GU14121050 | 2 | |
| 4 | Spacer | - | - | - | - | GU30121200 | 4 | |
| 5 | Gasket | - | - | - | - | GU90718406 | 2 | |
| 6 | Nut | - | - | - | - | GU92781081 | 4 | |
| 7 | Washer 8,4X13X0,8 | - | - | - | - | GU14615901 | 4 | |
| 8 | Washer | - | - | - | - | GU95007208 | 4 | |
| 9 | Plug | - | - | - | - | GU98110007 | 2 | |
| 10 | Gasket | - | - | - | - | GU30109330 | 2 | |
| 11 | Hose clamp | - | - | - | - | GU30123400 | 6 | |
| 12 | Expansion chamber | - | - | - | - | GU30123902 | 1 | |
| 13 | Clamp | - | - | - | - | GU30127102 | 1 | |
| 14 | Screw | - | - | - | - | GU98054412 | 2 | |
| 15 | Washer | - | - | - | - | GU95100256 | 4 | |
| 16 | Silent-block | - | - | - | - | GU93233030 | 2 | |
| 17 | Under spacer | - | - | - | TN | GU30126700 | 2 | |
| 18 | Upper spacer | - | - | - | TB | GU30126701 | 2 | |
| 19 | Washer | - | - | - | - | GU95100239 | 6 | |
| 20 | Screw | - | - | - | - | GU98054430 | 2 | |
| 21 | RH clamp | - | - | - | - | GU30126900 | 1 | |
| 22 | LH clamp | - | - | - | - | GU30127000 | 1 | |
| 23 | Screw | - | - | - | - | GU98054418 | 2 | |
| 24 | Washer | - | - | - | - | GU95100256 | 2 | |
| 25 | Washer | - | - | - | - | GU95000208 | 2 | |
| 26 | Nut M8X1,25 | - | - | - | - | GU92602208 | 2 | |
| 27 | RH pipe | - | - | - | - | GU30124700 | 1 | |
| 28 | LH pipe | - | - | - | - | GU30124800 | 1 | |
| 29 | RH silencer | - | - | - | 32096C | GU30123001 | 1 | |
| 30 | LH silencer | - | - | - | 32096C 32096C | GU30122901 | 1 | |
| 31 | Silencer support | - | - | - | - | GU30128602 | 2 | |
| 32 | Hex socket screw M6X16 | - | - | - | - | GU98622316 | 4 | |

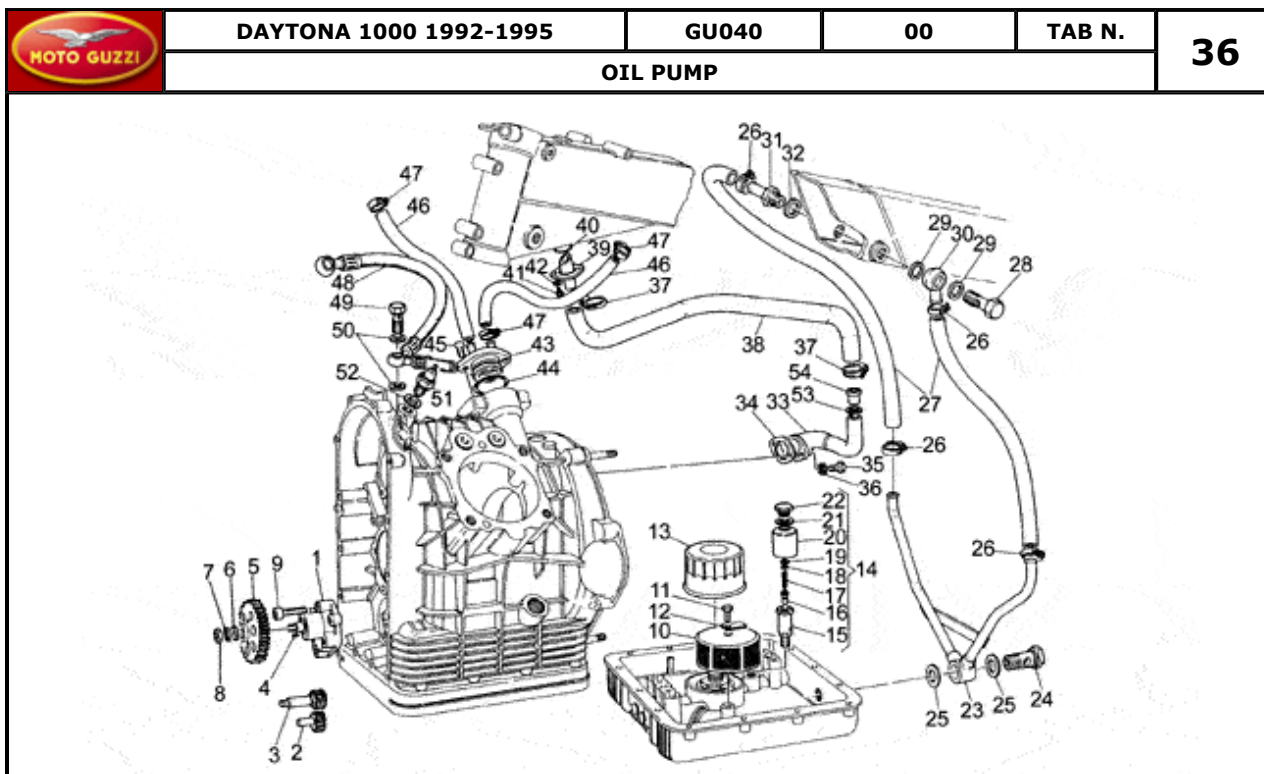
| | | | | | | | | |
|----|-------------------|---|---|---|---|---|------------|---|
| 33 | Washer 6,4x10x0,7 | - | - | - | - | - | GU14217901 | 4 |
| 34 | Screw M8x35 | - | - | - | - | - | GU98230835 | 2 |
| 35 | Rubber spacer | - | - | - | - | - | GU14103400 | 2 |
| 36 | Spacer | - | - | - | - | - | GU91180817 | 2 |
| 37 | Washer | - | - | - | - | - | GU95100256 | 2 |
| 38 | Nut | - | - | - | - | - | GU92630108 | 2 |

| MOTO GUZZI | | DAYTONA 1000 1992-1995 | GU040 | 00 | TAB N. | 34 | | |
|--|----------------------------|------------------------|-------|---------|---------|------------|------|--------|
| STARTER MOTOR | | | | | | | | |
|  | | | | | | | | |
| Pos. | Description | Year | I_M_ | Country | Version | Code | Q.ty | P.Cod. |
| 1 | Starter motor Valeo | - | - | - | - | GU30730711 | 1 | |
| 3 | Pinion assy | - | - | - | - | GU30530510 | 1 | |
| 4 | Brush revision set | - | - | - | - | GU30530511 | 1 | |
| 9 | Starter motor revision kit | - | - | - | - | GU30530512 | 1 | |
| 10 | Hex screw M8X75 | - | - | - | - | GU98052475 | 2 | |
| 11 | Washer | - | - | - | - | GU95004208 | 2 | |

| | | | | | |
|---|------------------------|-------|----|--------|-----------|
|  | DAYTONA 1000 1992-1995 | GU040 | 00 | TAB N. | 35 |
| | GEAR LEVER | | | | |

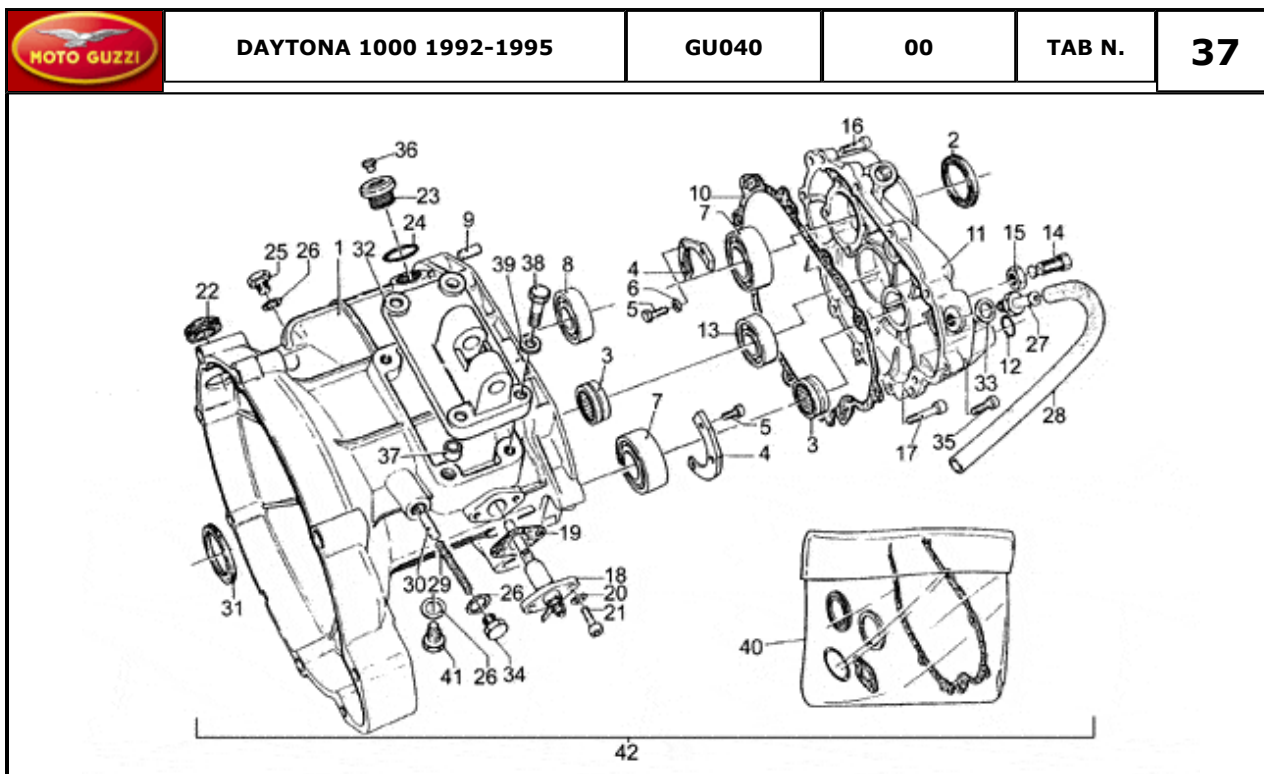


| Pos. | Description | Year | I_M | Country | Version | Code | Q.ty | P.Cod. |
|------|---------------------------|------|-----|---------|---------|------------|------|--------|
| 1 | Complete gearchange lever | - | - | - | - | GU37250805 | 1 | |
| 2 | Bush | - | - | - | - | GU30252000 | 2 | |
| 3 | O-ring | - | - | - | - | GU90706076 | 2 | |
| 4 | Rubber spacer | - | - | - | - | GU14251001 | 1 | |
| 5 | Screw | - | - | - | - | GU98230616 | 1 | |
| 6 | Pin | - | - | - | - | GU98610410 | 1 | |
| 7 | Washer | - | - | - | - | GU95004208 | 1 | |
| 8 | Nut | - | - | - | - | GU92630208 | 1 | |
| 9 | Fork | - | - | - | - | GU28258160 | 2 | |
| 10 | Stud bolt | - | - | - | - | GU30257900 | 1 | |
| 11 | Nut | - | - | - | - | GU92602206 | 1 | |
| 12 | Lever | - | - | - | - | GU30258200 | 1 | |
| 13 | Nut M6x1 | - | - | - | - | GU92630206 | 1 | |
| 14 | Hex screw M6X16 | - | - | - | - | GU98054316 | 1 | |
| 15 | Special washer | - | - | - | - | GU61013800 | 1 | |



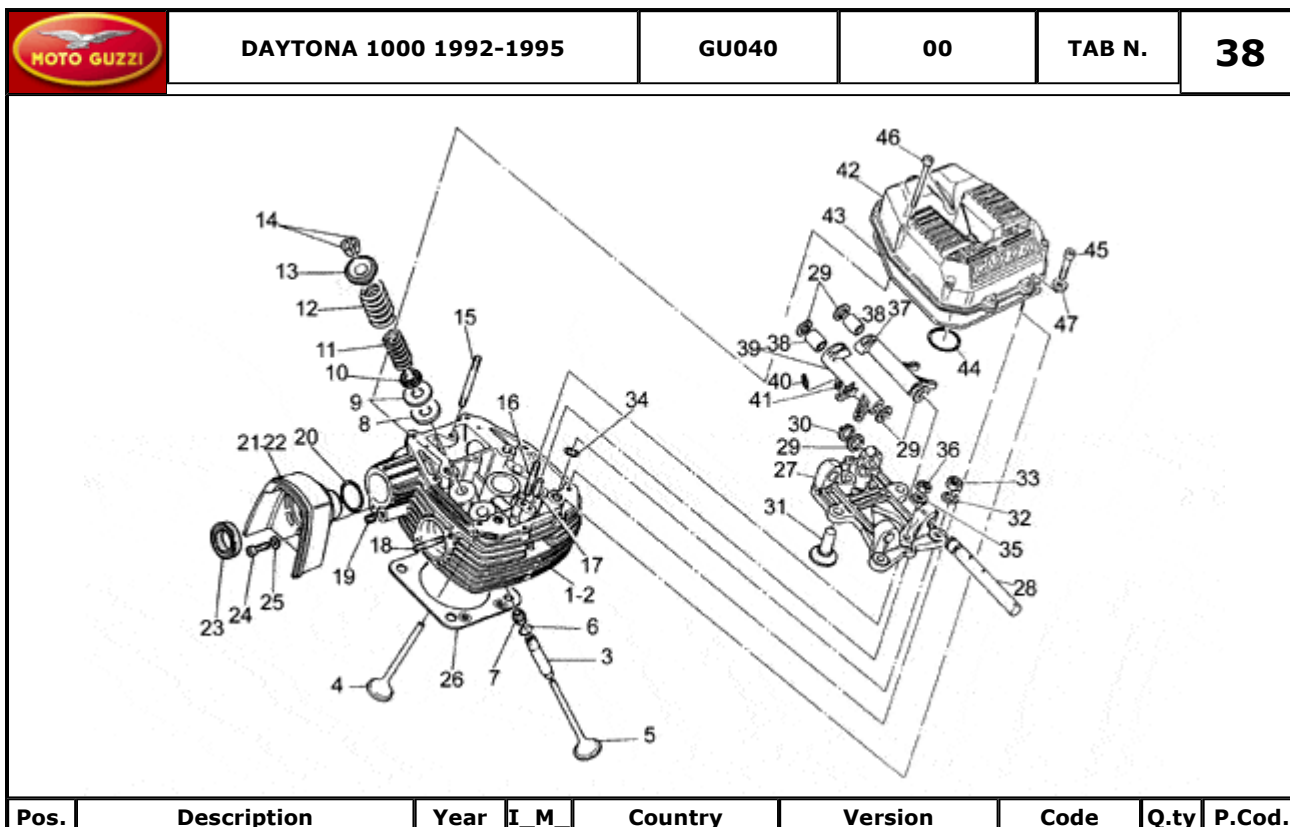
| Pos. | Description | Year | I_M | Country | Version | Code | Q.ty | P.Cod. |
|------|--------------------|------|-----|---------|---------|---------------|------|--------|
| 1 | Oil pump | - | - | - | - | GU30146401 | 1 | |
| 2 | Oil pump gear | - | - | - | - | GU30148401 | 1 | |
| 3 | Oil pump gear | - | - | - | - | GU30147801 | 1 | |
| 4 | Transmission key | - | - | - | - | GU91701232 | 1 | |
| 5 | Oil pump gear | - | - | - | - | GU30147701 | 1 | |
| 6 | Washer | - | - | - | - | GU95000208 | 1 | |
| 7 | Washer 8,4X13X0,8 | - | - | - | - | GU14615901 | 1 | |
| 8 | Nut | - | - | - | - | GU92602308 | 1 | |
| 9 | Screw | - | - | - | - | GU98622435 | 4 | |
| 10 | Oil filter | - | - | - | - | GU14152200 | 1 | |
| 11 | Hex screw M6X16 | - | - | - | - | GU98054316 | 1 | |
| 12 | Plate | - | - | - | - | GU95187006 | 1 | |
| 13 | Oil filter 61 mm | - | - | - | - | GU14153000 | 1 | |
| 14 | Oil valve cpl. | - | - | - | - | GU30158201 | 1 | |
| 15 | Valve body | - | - | - | - | GU30158701 | 1 | |
| 16 | Piston | - | - | - | - | GU30150900 | 1 | |
| 17 | Spring | - | - | - | - | GU94321079 | 1 | |
| 18 | Washer 6,15x11x0,8 | - | - | - | - | GU95004206 | 1 | |
| 19 | Washer | - | - | - | - | GU30158900 | 1 | |
| 20 | Cup | - | - | - | - | GU30158800 | 1 | |
| 21 | Washer 18,25x24x1 | - | - | - | - | GU18144350 | 1 | |
| 22 | Plug | - | - | - | - | GU30159000 | 1 | |
| 23 | Oil pipe | - | - | - | - | GU30154601 | 1 | |
| 24 | Oil plug | - | - | - | - | GU30006601 | 1 | |
| 25 | Gasket 20,1x28x2 | - | - | - | - | GU95100709 | 2 | |
| 26 | Hose clamp | - | - | - | - | GU12157900 | 2 | |
| 27 | Fuel pipe | - | - | - | - | GU00823941110 | 1 | |
| 28 | Bored screw | - | - | - | - | GU95990084 | 1 | |
| 29 | Gasket | - | - | - | - | GU90118162 | 2 | |
| 30 | Union | - | - | - | - | GU30156800 | 1 | |
| 31 | Union | - | - | - | - | GU30158000 | 1 | |
| 32 | Gasket | - | - | - | - | GU10154200 | 3 | |
| 33 | Breather pipe | - | - | - | - | GU01007200 | 1 | |
| 34 | Gasket | - | - | - | - | GU12007600 | 1 | |

| | | | | | | | | |
|----|--------------------|---|---|---|---|---|---------------|---|
| 35 | Screw | - | - | - | - | - | GU98054318 | 2 |
| 36 | Washer 6,5x11x2 | - | - | - | - | - | GU95120065 | 2 |
| 37 | Hose clamp | - | - | - | - | - | GU12157800 | 2 |
| 38 | Breather pipe | - | - | - | - | - | GU30157400 | 1 |
| 39 | Union | - | - | - | - | - | GU30157001 | 1 |
| 40 | O-ring | - | - | - | - | - | GU90706334 | 1 |
| 41 | Hex screw M6X20 | - | - | - | - | - | GU98054320 | 2 |
| 42 | Washer | - | - | - | - | - | GU95000206 | 2 |
| 43 | Plug | - | - | - | - | - | GU30018301 | 1 |
| 44 | O-ring | - | - | - | - | - | GU90706313 | 1 |
| 45 | Screw | - | - | - | - | - | GU98250820 | 2 |
| 46 | Pipe SAEJ30R9 | - | - | - | - | - | GU00823952080 | 1 |
| 47 | Hose clamp | - | - | - | - | - | GU93305017 | 4 |
| 48 | Pipe | - | - | - | - | - | GU30153600 | 1 |
| 49 | Screw | - | - | - | - | - | GU95990056 | 3 |
| 50 | Gasket | - | - | - | - | - | GU10528900 | 6 |
| 51 | Pressure sensor | - | - | - | - | - | GU17768750 | 1 |
| 52 | Gasket 12,25 | - | - | - | - | - | GU12006400 | 1 |
| 53 | Stop ring | - | - | - | - | - | GU95061300 | 1 |
| 54 | Oil breather valve | - | - | - | - | - | GU28150560 | 1 |



| Pos. | Description | Year | I_M | Country | Version | Code | Q.ty | P.Cod. |
|------|----------------------------|------|-----|---------|---------|---------------|------|--------|
| 1 | Transmission cage | - | - | - | - | GU30200200 | 1 | |
| 2 | Gasket ring 35x47x7 | - | - | - | - | GU90403547 | 1 | |
| 3 | Roller bearing 17x35x15 | - | - | - | - | GU92256218 | 2 | |
| 4 | Plate | - | - | - | - | GU14213803 | 2 | |
| 5 | Hex socket screw M6X16 | - | - | - | - | GU98622316 | 6 | |
| 6 | Washer 6,4x10x0,7 | - | - | - | - | GU14217901 | 6 | |
| 7 | Ball bearing AF/AS 25x52 | - | - | - | - | GU92218424 | 2 | |
| 8 | Roller bearing AS 17x47x14 | - | - | - | - | GU92234717 | 1 | |
| 9 | Pin | - | - | - | - | GU95512081 | 2 | |
| 10 | Gasket | - | - | - | - | GU14201110 | 1 | |
| 11 | Box cover | - | - | - | - | GU30200800 | 1 | |
| 12 | O-ring 13,95x2,92 | - | - | - | - | GU90706140 | 1 | |
| 13 | Ball bearing AP 17x47x14 | - | - | - | - | GU92201417 | 1 | |
| 14 | Screw | - | - | - | - | GU14237800 | 1 | |
| 15 | Low nut M12x1,25 | - | - | - | - | GU92602512 | 1 | |
| 16 | Hex socket screw M6X25 | - | - | - | - | GU98622325 | 9 | |
| 17 | Screw M6X35 | - | - | - | - | GU98620335 | 1 | |
| 18 | Neutral indicator switch | - | - | - | - | GU12207200 | 1 | |
| 19 | Gasket | - | - | - | - | GU12207700 | 1 | |
| 20 | Washer 6,4x10x0,7 | - | - | - | - | GU14217901 | 2 | |
| 21 | Screw | - | - | - | - | GU98812316 | 2 | |
| 22 | Plug | - | - | - | - | GU93180220 | 1 | |
| 23 | Oil plug | - | - | - | - | GU12022600 | 1 | |
| 24 | O-ring 20,24X2,62 | - | - | - | - | GU90706203 | 1 | |
| 25 | Oil level plug | - | - | - | - | GU95980214 | 1 | |
| 26 | Gasket | - | - | - | - | GU10528900 | 3 | |
| 27 | Oil breather valve | - | - | - | - | GU14204955 | 1 | |
| 28 | Rubber pipe 12,5X7,8 5/16" | - | - | - | - | GU00823956080 | 1 | |
| 29 | Lever return spring | - | - | - | - | GU94321067 | 1 | |
| 30 | Pawl | - | - | - | - | GU55234700 | 1 | |
| 31 | Gasket ring 35x47x7/6,5 | - | - | - | - | GU90403548 | 1 | |
| 32 | Gearbox housing support | - | - | - | - | GU30202300 | 1 | |
| 33 | Gasket 8,25x15x1 | - | - | - | - | GU12154200 | 1 | |
| 34 | Plug | - | - | - | - | GU95980610 | 1 | |

| | | | | | | | | |
|----|-----------------------|---|---|---|---|---|------------|---|
| 35 | Screw | - | - | - | - | - | GU98822325 | 1 |
| 36 | Plug | - | - | - | - | - | GU93180245 | 1 |
| 37 | Bush | - | - | - | - | - | GU91181006 | 2 |
| 38 | Screw M8X22 | - | - | - | - | - | GU98054422 | 4 |
| 39 | Washer | - | - | - | - | - | GU95004208 | 4 |
| 40 | Gasket set | - | - | - | - | - | GU30999100 | 1 |
| 41 | Oil unload plug M10X1 | - | - | - | - | - | GU31003766 | 1 |
| 42 | Gear box assy | - | - | - | - | - | GU30991500 | 1 |



| Pos. | Description | Year | I_M | Country | Version | Code | Q.ty | P.Cod. |
|------|----------------------|------|-----|---------|---------|------------|------|--------|
| 1 | RH cylinder head | - | - | - | - | GU30022100 | 1 | |
| 2 | LH cylinder head | - | - | - | - | GU30022200 | 1 | |
| 3 | Valve guide | - | - | - | - | GU30036800 | 8 | |
| 4 | Intake valve | - | - | - | - | GU30036000 | 4 | |
| 5 | Exhaust valve | - | - | - | - | GU30036100 | 4 | |
| 6 | Snap ring | - | - | - | - | GU90353024 | 8 | |
| 7 | Oil seal | - | - | - | - | GU30037800 | 8 | |
| 8 | Spacer 1 mm | - | - | - | - | GU30037201 | 8 | |
| 9 | Spacer 1,5 mm | - | - | - | - | GU30037202 | 8 | |
| 10 | Lower cup | - | - | - | - | GU30037001 | 8 | |
| 11 | Inner spring | - | - | - | - | GU30037601 | 8 | |
| 12 | Outer spring | - | - | - | - | GU30037501 | 8 | |
| 13 | Upper cup | - | - | - | - | GU30038001 | 8 | |
| 14 | Half-cone | - | - | - | - | GU30038100 | 16 | |
| 15 | Stud bolt | - | - | - | - | GU96451450 | 2 | |
| 16 | Stud bolt | - | - | - | - | GU96451430 | 2 | |
| 17 | Pin | - | - | - | - | GU95512063 | 4 | |
| 18 | Stud bolt | - | - | - | - | GU96508052 | 4 | |
| 19 | Plug | - | - | - | - | GU98450513 | 2 | |
| 20 | O-ring | - | - | - | - | GU90706331 | 2 | |
| 21 | RH pulley cover | - | - | - | - | GU30002400 | 1 | |
| 22 | LH pulley cover | - | - | - | - | GU30002500 | 1 | |
| 23 | Gasket ring 25X40X7 | - | - | - | - | GU90412541 | 2 | |
| 24 | Screw | - | - | - | - | GU98622320 | 2 | |
| 25 | Washer 6,15x11x0,8 | - | - | - | - | GU95004206 | 2 | |
| 26 | Cylinder head gasket | - | - | - | - | GU30022000 | 2 | |
| 27 | Support plate | - | - | - | - | GU30034800 | 2 | |
| 28 | Rocker arms axis | - | - | - | - | GU30031800 | 4 | |
| 29 | Thrust washer 1 mm | - | - | - | - | GU30032300 | 8 | |
| | Thrust washer 1,2 mm | - | - | - | - | GU30032302 | 1 | |
| 30 | Circlip | - | - | - | - | GU90271012 | 4 | |
| 31 | Tappet | - | - | - | - | GU30045700 | 4 | |
| 32 | Washer | - | - | - | - | GU95000210 | 8 | |

| | | | | | | | | |
|----|------------------------|---|---|---|----|---|------------|---|
| 33 | Nut M10X1,5 | - | - | - | - | - | GU92603010 | 8 |
| 34 | O-ring 9x2 | - | - | - | - | - | GU90706094 | 8 |
| 35 | Washer 8,4X13X0,8 | - | - | - | - | - | GU14615901 | 4 |
| 36 | Nut | - | - | - | - | - | GU92602008 | 4 |
| 37 | Rocker arm cpl. | - | - | - | AS | - | GU30030200 | 2 |
| 38 | Bush | - | - | - | - | - | GU30030801 | 8 |
| 39 | Rocker arm assy. | - | - | - | AD | - | GU30030400 | 2 |
| 40 | Adjuster screw | - | - | - | - | - | GU30034000 | 8 |
| 41 | Nut | - | - | - | - | - | GU30034100 | 8 |
| 42 | Head cover | - | - | - | - | - | GU30023500 | 2 |
| 43 | Head cover gasket | - | - | - | - | - | GU30023700 | 2 |
| 44 | O-ring | - | - | - | - | - | GU90706361 | 2 |
| 45 | Hex socket screw M6X25 | - | - | - | - | - | GU98622325 | 8 |
| 46 | Hex socket screw M6X50 | - | - | - | - | - | GU98620350 | 8 |
| 47 | Washer 6,15x11x0,8 | - | - | - | - | - | GU95004206 | 8 |